



Wireless

data sheet

RMT1200

1200VA TRAILING EDGE DIMMER



WHAT IS IT ?

A compact 1200w RF dimmer designed to be mounted in a ceiling void using an access panel or wall mounted in an electrical cupboard.

Trailing edge dimming technology gives smooth quiet dimming of electronic transformer fed loads and maximises dimming performance of most GU10 LED down-lights.

The dimmer is connected in-line before the first lighting fitting to enable dimming of up to 1200w/1000va of trailing edge dimmable loads.

Controlled from any Rako Rakom RF device, for example the RCP/RCM push button RF wall-plates.

The RMT1200 in-line RF dimmer for GU10 LED lamps, tungsten, low-voltage halogen and other trailing edge dimmable loads



FLEXIBLE CONTROL

Designed to fit in a ceiling void using an access panel or an electrical cupboard, the RMT1200 capacitive dimmer can control up to 1200 watts of mains dimmable lighting loads. The unit can also be used for exterior lighting control applications, with the use of a weatherproof IP rated enclosure.

The RMT1200 uses trailing edge dimming technology to maximise the performance of most GU10 dimmable LED down-lights (refer to Rako Controls for compatibility and maximum loadings). The RMT1200 is also the recommended dimmer for GU10 tungsten lamps due to its in-built short-circuit protection, necessary with this style of lamps.

16 Scene memory capacity, can be fully integrated into Rako wired systems.

Being trailing edge the RMT1200 offers quiet dimming with most electronic transformers and can dim those only suitable for use with trailing edge dimmers.

NOTE – THE RMT1200 IS NOT SUITABLE FOR USE WITH INDUCTIVE OR WIRE-WOUND LOADS.

Programmed using either an RCM/RCP RF wall-plate or RASOFT PC software suite, the RMT1200 stores the House, Room and Channel address plus 16 preset scene levels in a non-volatile memory.

The RMT1200 dimmer can be controlled from any Rako transmitter such as RCM/RCP wallplates, RAH hand-helds and Bridge modules and forms the foundation of any Rako wireless scene-set system.



Wireless

data sheet

RMT1200

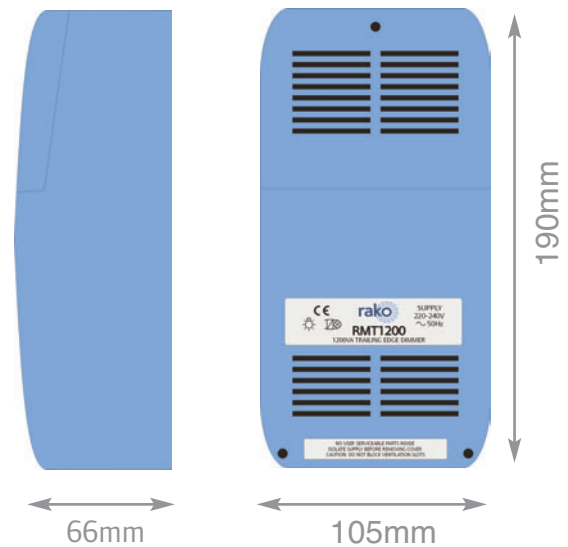
1200VA TRAILING EDGE DIMMER



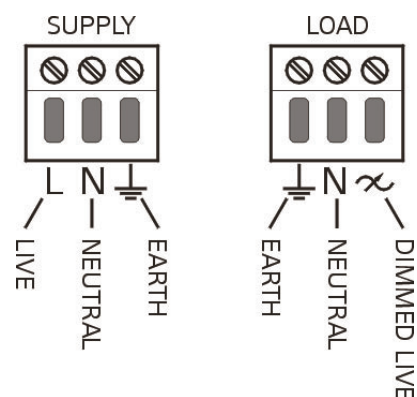
technical data

dimensions	190x105x66mm
input supply	230V AC +/-10% 50Hz
weight	495g
housing	ULVO ABS
climate range	Temperature +2C to +40C Humidity +5% to 95% non condensing
connections	3 way screw terminals for mains power
protection	Auto resetting over current protection Auto thermal shutdown Voltage surge protection
load types	Mains Dimmable LEDs Incandescent mains voltage lamps Tungsten halogen GU10 lamps Trailing edge dimmable LV transformers Trailing edge dimmable cold cathode
minimum load	1w
maximum load	1200VA refer to Rako when dimming GU10 style LEDs
terminal sizes	2.5mm ² - Stranded 4.0mm ² - Solid
cable entry	Bottom
standards	Emissions - EN61000-6-3 : 2001 Immunity - EN61000-6-1 : 2001
communication	Rakom coded fm radio, 433.9MHz
memory	Flash memory (non volatile)

mechanical data



connection details



telephone +44 (0) 1634 226666 fax +44 (0) 1634 226667 www.rakocontrols.com