



Wired
data sheet

WAPIR

360° CEILING MOUNTED WIRED PIR MOTION DETECTOR



WHAT IS IT?

A ceiling mount PIR motion detector with a 360° sensor pattern.

The unit is ideally suited to office and residential applications where automatic scene selection is required.

The WAPIR is a ceiling mounted 360° PIR motion sensor



MOVEMENT CONTROL

The WAPIR motion detector module allows scenes to be selected automatically via movement.

The unit can replicate any button press that is required. It will also dim lights slightly before going off entirely, to pre-warn the occupant.

When configured with the RASOFT programming software, it is possible to select which scene is activated and modify the timeout period. The WAPIR also listens to WCM/RCM wall plates, to enable and disable the PIR motion function when not required.

Mounting is via a 64mm diameter ceiling cutout, where it is held in place with internal metal clips. The housing is then pushed into place without the need for fixing screws. This method of installation ideally suits plasterboard or solid ceilings as it avoids the need for rear access to the unit and protects the surrounding finish.



Wired
data sheet

WAPIR

360° CEILING MOUNTED RF MOTION DETECTOR



technical data

dimensions 68.5x76mm (64mm ceiling cut-out)

input supply 12-18vdc supply from Rakom CAT5 wired network

weight 125g

housing Flame retardant ABS, fixing clip polypropylene

type Class 2

climate range Temperature +2C to +40C
Humidity +5% to 95% non condensing

cable type UTP CAT5e or CAT6

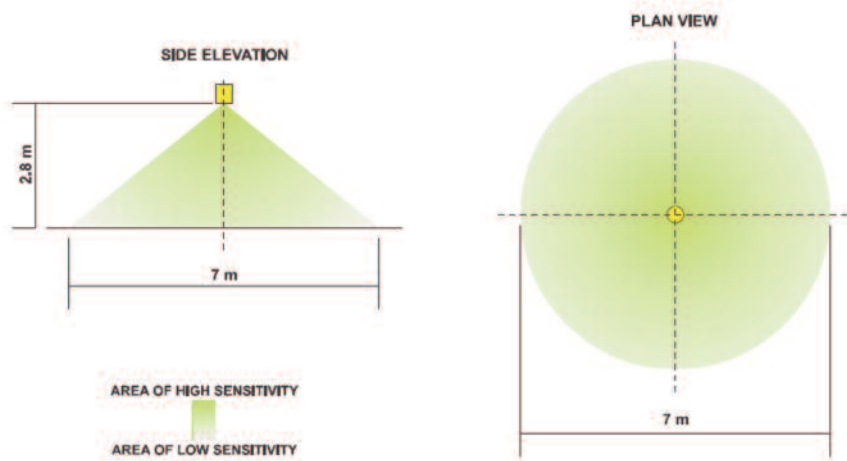
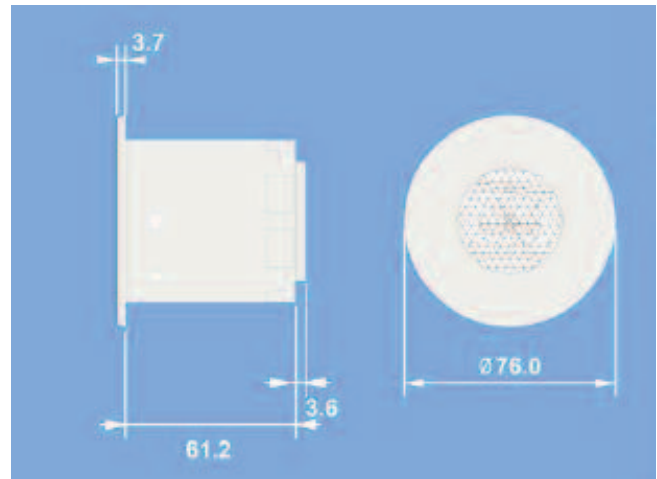
terminal type 2 x RJ11

standards Emissions - EN61000-6-3 : 2001
Immunity - EN61000-6-1 : 2001

communication Rakom wired network (requires a WP Conc to connect to CAT5)

memory Flash memory (non volatile)

mechanical data



telephone +44 (0) 1634 226666 fax +44 (0) 1634 226667 www.rakocontrols.com