

USING WP-CON WITH RAKO WIRED SYSTEM

WP-CON is used to connect accessory modules to RAKO Wired system. These include RF-Bridge, 232-Bridge, DMX unit and other RAKO modules fitted with RJ11 network connector.

Often the accessories are plugged directly into RAK-Link or Star-Wiring Box. WP-CON is used if installation requires the accessory module to be located elsewhere.

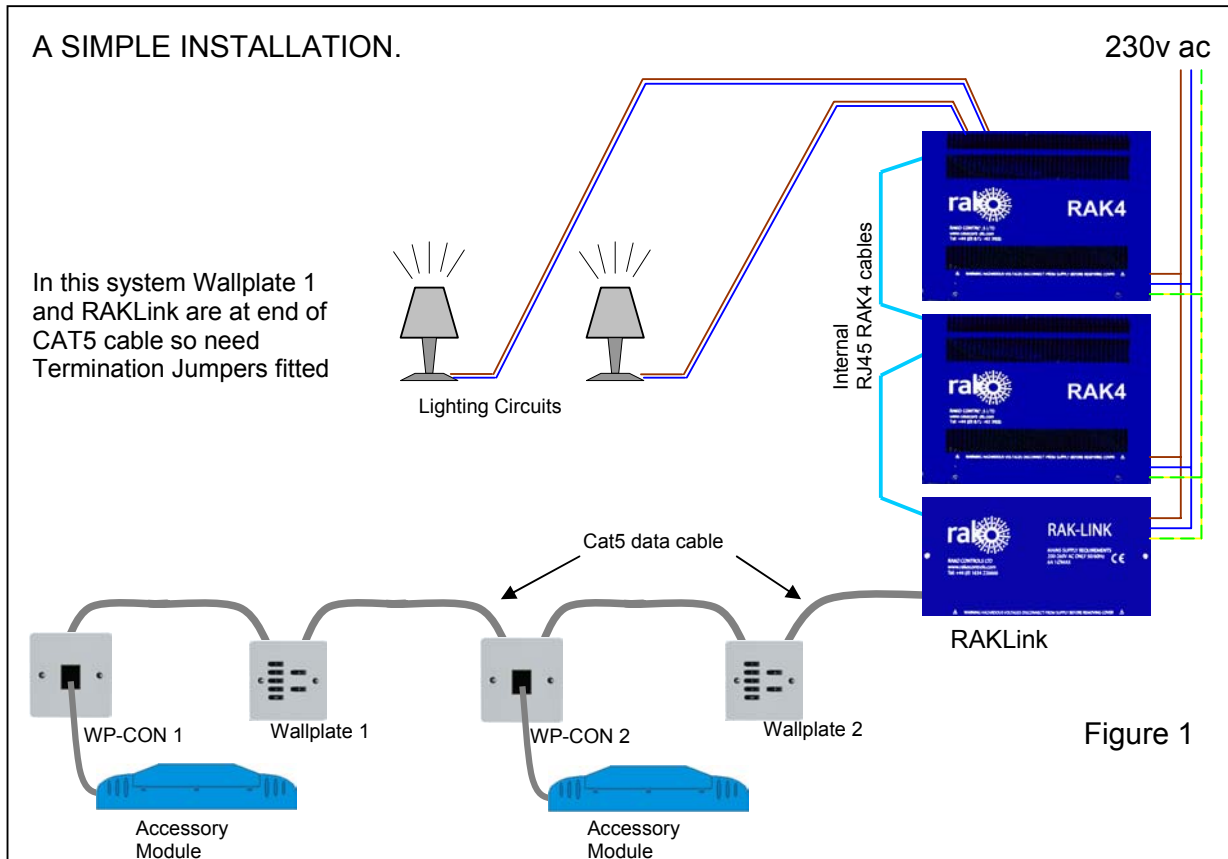


Figure 1 shows a simple lighting installation using the Rako Wired system.

In figure 1: WP-CON 1 and the RAKLink are at each end of the cable, so these must have their termination jumpers fitted.

WP-CON 2 and Wallplates 1 & 2 must not have termination jumpers fitted.

Installing WP-CON onto the Wired System

Items required:

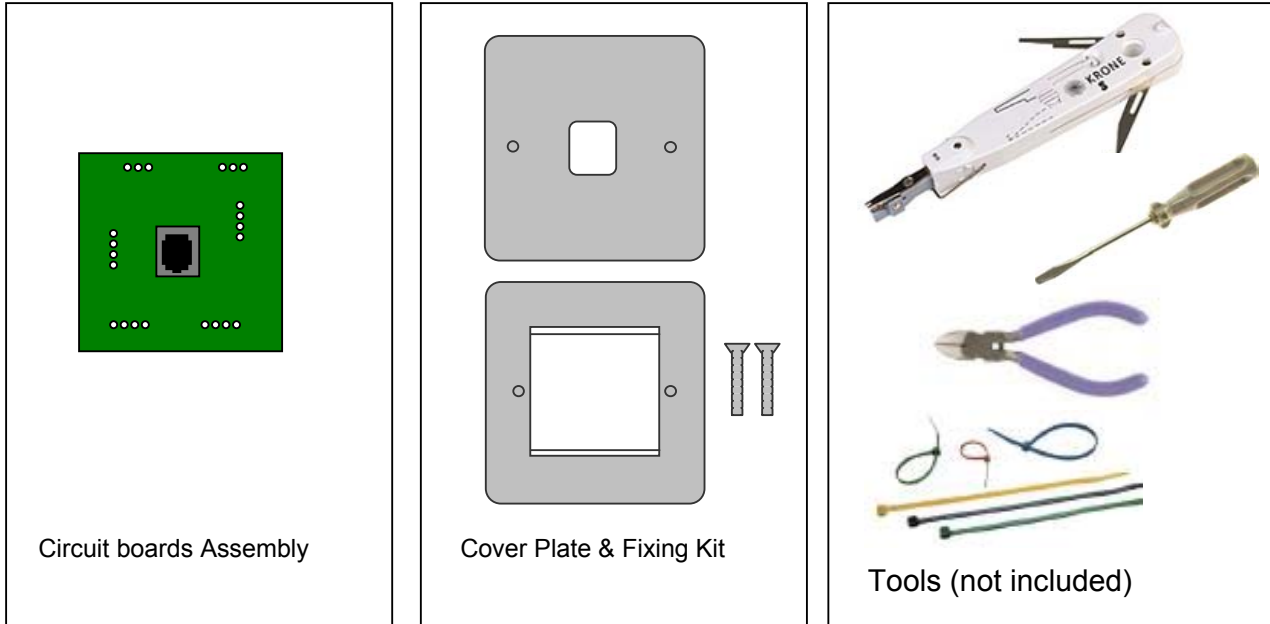


Figure 2

Fit the WP-CON as shown in figure 3 below:

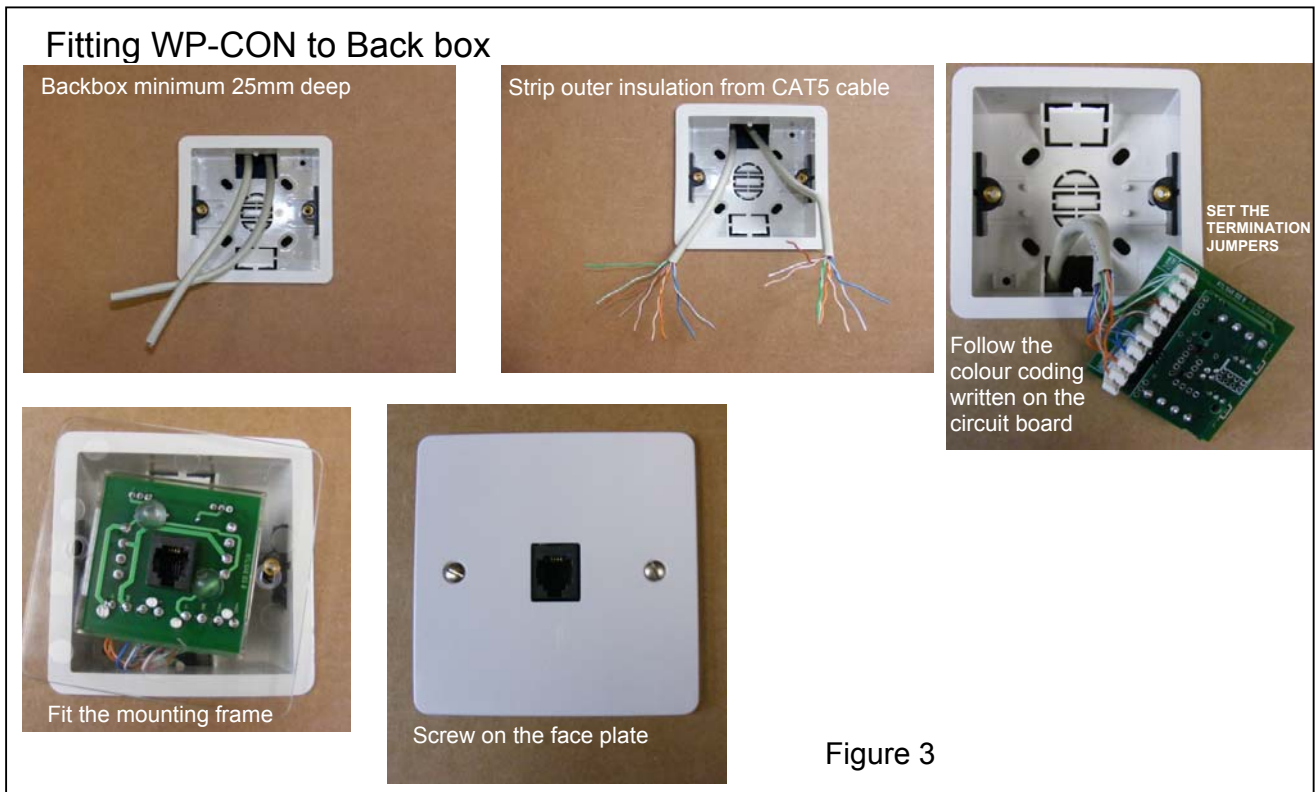
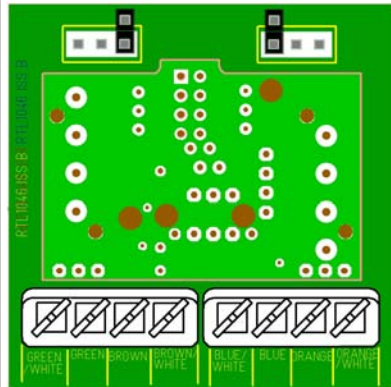


Figure 3

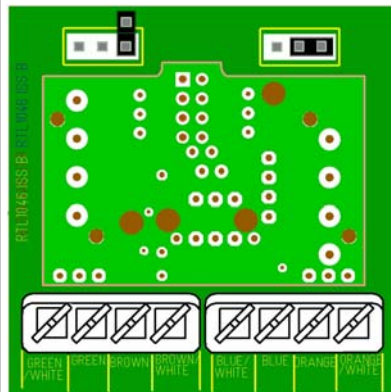
Fit Termination Jumpers to WP-CON when it is fitted at end of Data Network



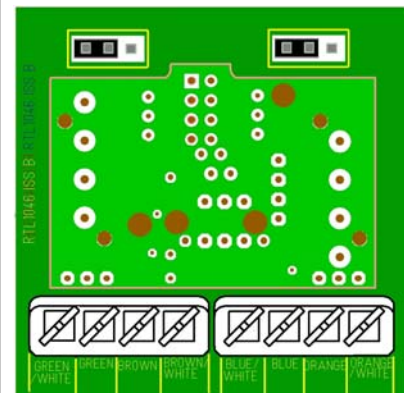
UNTERM
 WP-CON which is not at end of line set like this.
 (WP-CON2 in figure 1)

NOTE: Devices are normally supplied unterminated with jumpers in this position

Figure 4
TERMINATION JUMPERS ON WP-CON



TERM
 WP-CON which is at end of line set like this.
 (WP-CON1 in figure 1)



STAR TERM
 This setting used only if a RAKO STAR WIRING box is fitted to the system.
See Star Box User Manual for details