

**USING WP-CONC WITH RAKO WIRED SYSTEM**

WP-CONC is used to connect accessory modules to RAKO Wired system. These include RF-Bridge, 232-Bridge, DMX unit and other RAKO modules fitted with RJ11 network connector.

Often the accessories are plugged directly into RAK-Link or Star-Wiring Box. WP-CONC is used if installation requires the accessory module to be located elsewhere.

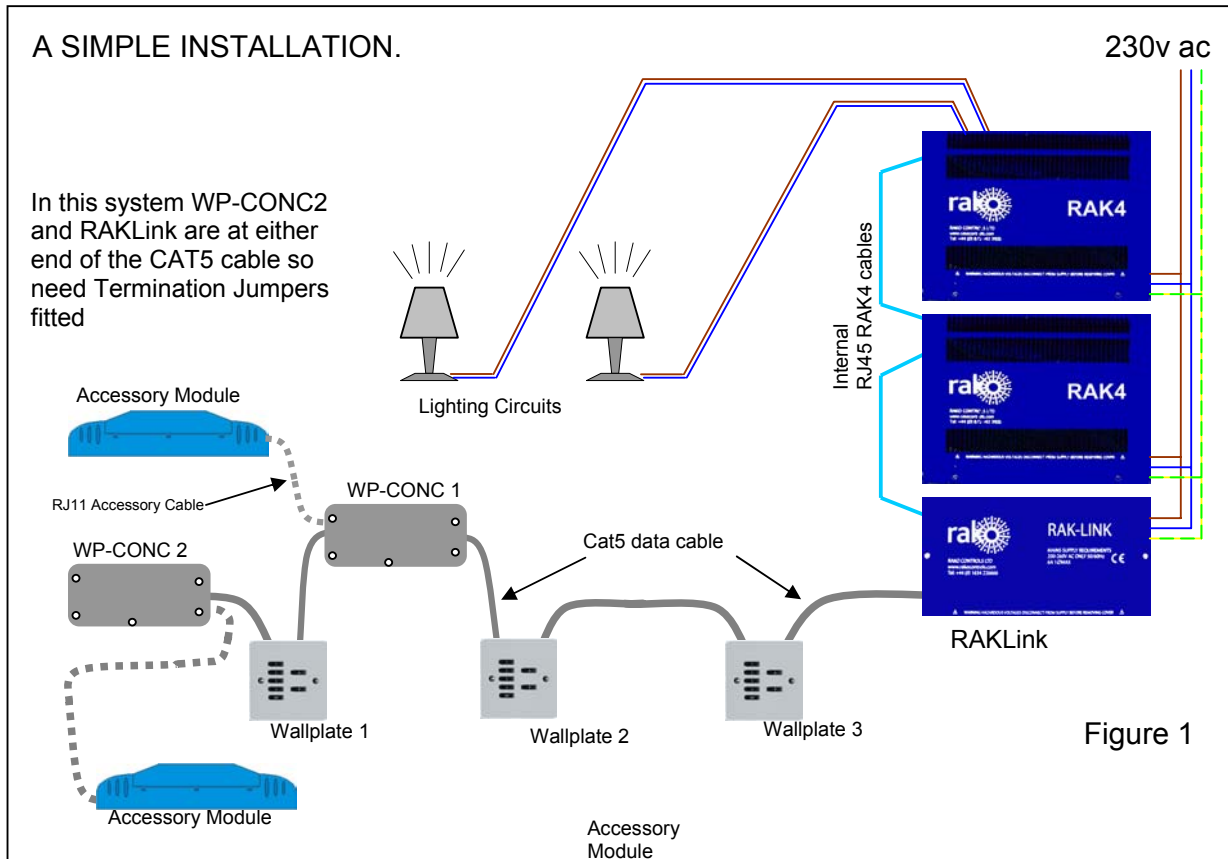


Figure 1 shows a simple lighting installation using the Rako Wired system.

In figure 1: WP-CONC 2 and the RAKLink are at each end of the cable, so these must have their termination jumpers fitted.

WP-CONC 1 and Wallplates 1, 2 & 3 must not have termination jumpers fitted.

## Installing WP-CONC onto the Wired System

Items required:

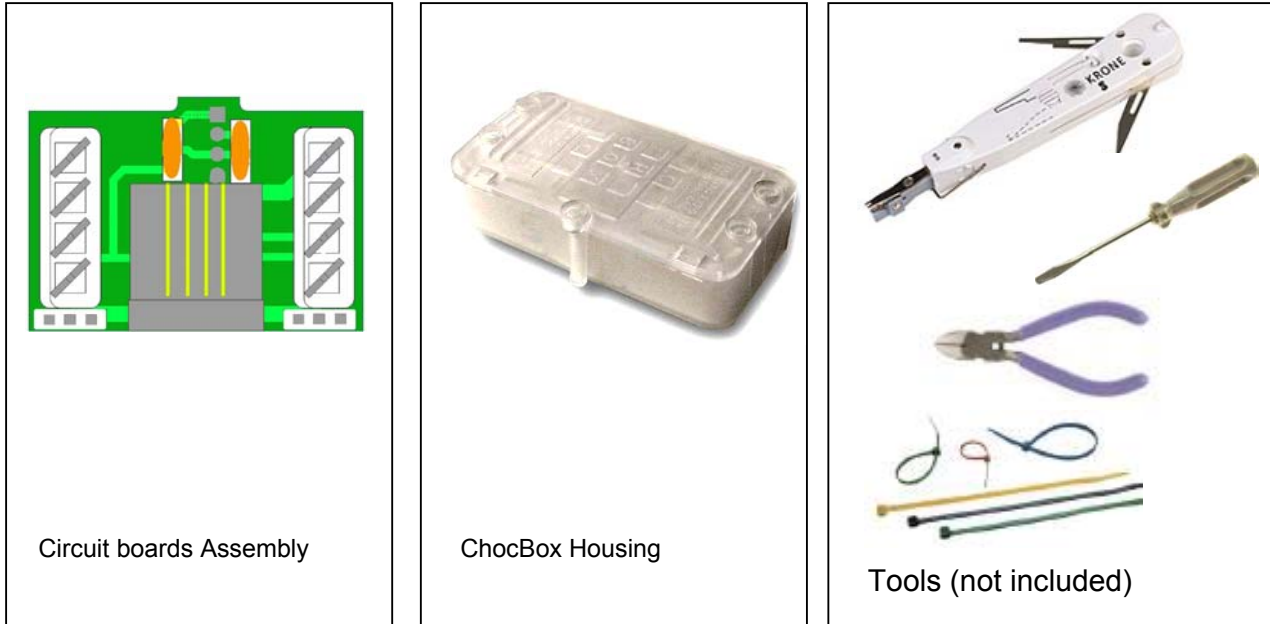


Figure 2

Fit the WP-CONC as shown in figure 3 below:

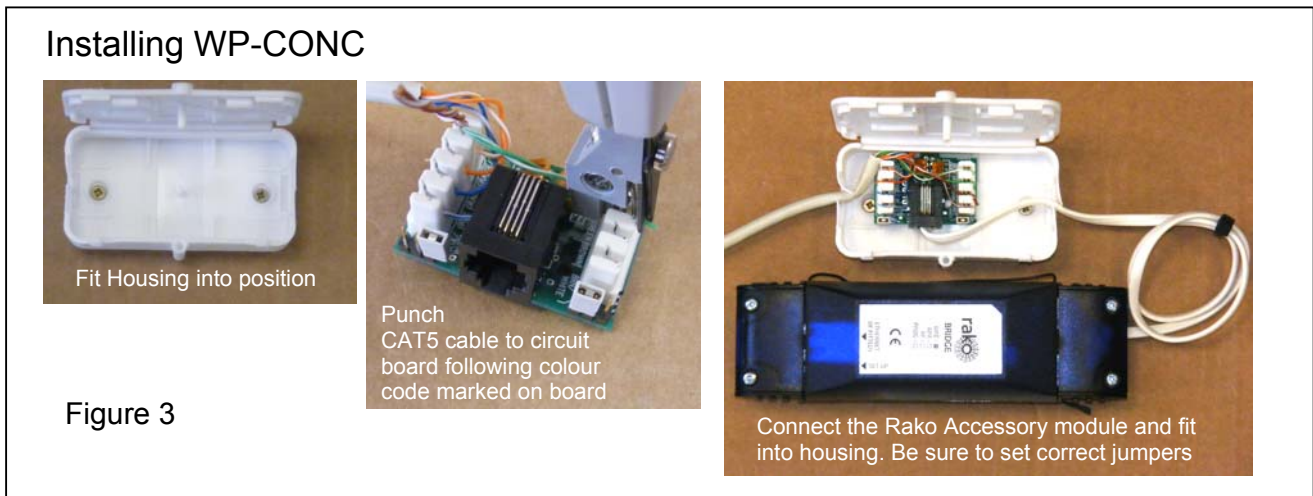
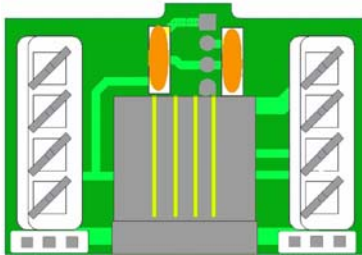


Figure 3

Fit Termination Jumpers to WP-CONC when it is fitted at end of Data Network



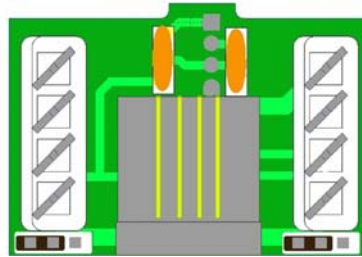
**UNTERM**

WP-CONC which is not at end of line set like this.  
(WP-CONC1 in figure 1)

NOTE: Devices are normally supplied unterminated with jumpers in this position

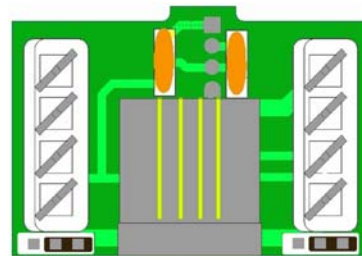
Figure 4

**TERMINATION JUMPERS ON WP-CONC**



**TERM**

WP-CONC which is at end of line set like this.  
(WP-CONC2 in figure 1)



**STAR TERM**

This setting used only if a RAKO STAR WIRING box is fitted to the system.  
**See Star Box User Manual for details**