

# WK-PIR

## CEILING MOUNTED OCCUPANCY SENSOR

### WHAT IS IT?

A ceiling mounted occupancy sensor which communicates over the Rako Wired network.

Different output actions at different times of day and other conditional functions via "Hub manage mode"

A WK-HUB is required for programming and function of the WK-PIR.

Occupancy/absence detection with built in light sensor for light dependent operation.

Ceiling mounted occupancy sensor with built in smart, time conditional features and light sensing.



### OCCUPANCY SENSOR

The WK-PIR motion detector allows Rako wired commands to be transmitted automatically when sensing movement.

The WK-PIR provides highly sensitive motion detection over a large area, presented in a discrete and aesthetically improved design. With two modes of operation the WK-PIR combines flexibility of function, with ease of use.

A 48mm diameter ceiling cutout is required for mounting, it is held in place with internal metal clips, no fixing screws are required.

Features include:

- Programmable output actions based on motion detection.
- Select different scenes at different times for advanced day/night tracking functions (Hub managed mode only).
- Configurable auto-off timer saves energy by implementing absence detection.
- Light level dependent operation allows the WK-PIR to take over control of the ambience as the daylight wanes.

data sheet

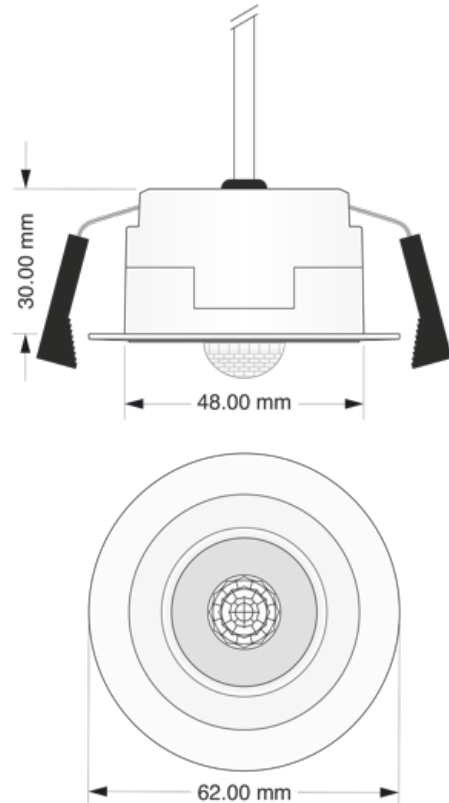
# WK-PIR

## CEILING MOUNTED OCCUPANCY SENSOR

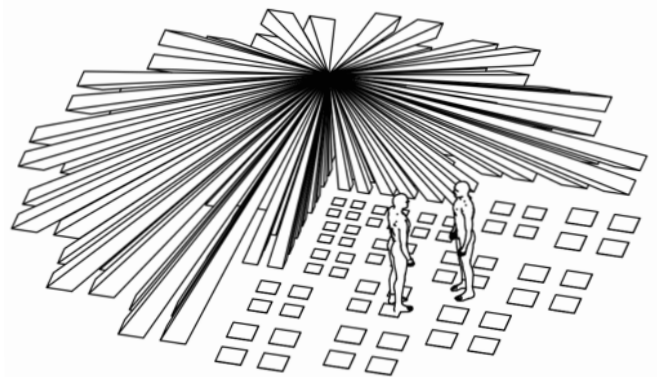
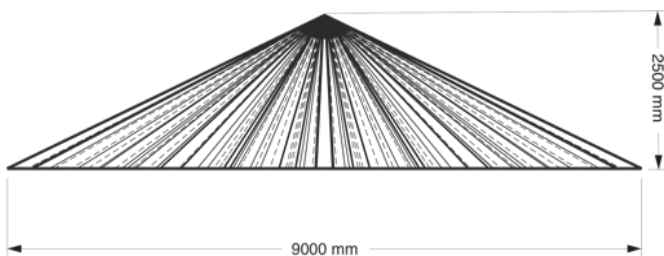
### technical data

dimensions	61.5x61.5x32mm (48 - 51mm ceiling cutout)
Connection details	Connection to the Rakom wired network via WK-CONNECT interface unit (supplied with product)
input supply	15V supply from Rakom wired data bus
weight	47g
climate range	Temperature +2C to +40C Humidity +5% to 90% non condensing
IP Rating	IP40
standards	RoHS UKCA CE Emissions - EN61000-6-3 : 2021 Immunity - EN61000-6-1 : 2019
communication	Rakom wired network
memory	Flash memory (non volatile)

### mechanical data



performance data - see instruction manual for detailed performance data and setup guide



telephone +44 (0) 1634 226666 [www.rakocontrols.com](http://www.rakocontrols.com)