

WK-PIR

CEILING MOUNTED OCCUPANCY SENSOR

WHAT IS IT?

A ceiling mounted occupancy sensor.

Communication over Wired RAKOM data network.

Occupancy/absence detection.

Different output actions at different times of day.

Ceiling mounted occupancy sensor with smart features configured via RASOFT Pro.



OCCUPANCY SENSOR

The WK-PIR motion detector module allows scenes to be selected automatically via movement.

The WK-PIR provides highly sensitive motion detection over a large area whilst presented in a discrete and aesthetically improved design. With two modes of operation the WK-PIR is designed for exceptional flexibility and configurability.

Mounting is via a 48mm diameter ceiling cutout, where it is held in place with internal metal clips. The housing is then pushed into place without the need for fixing screws. This method of installation ideally suits plasterboard or solid ceilings as it avoids the need for rear access to the unit and protects the surrounding finish.

Features include:

- Flexible output actions based on motion detection.
- Configurable auto-off timer saves energy by implementing absence detection.
- Select different scenes at different times of day to set the scene without lifting a finger.

data sheet

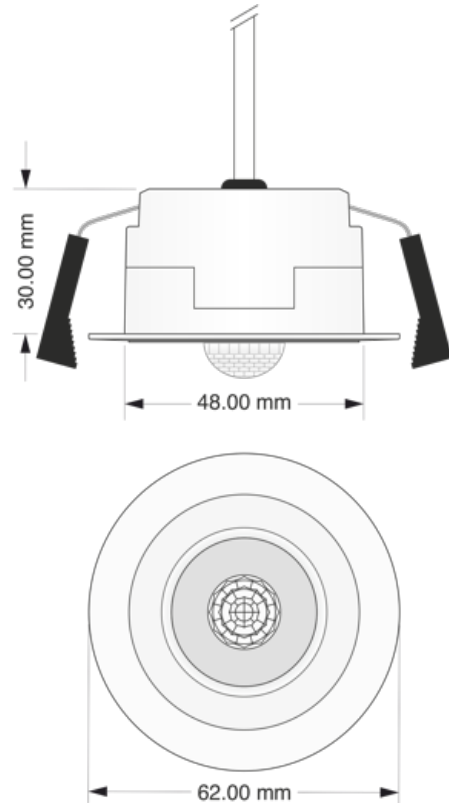
WK-PIR

CEILING MOUNTED OCCUPANCY SENSOR

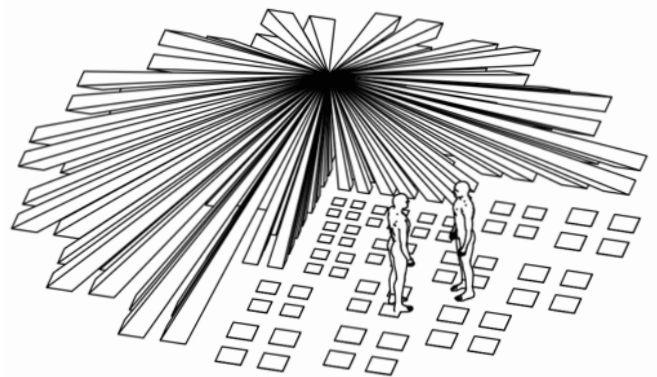
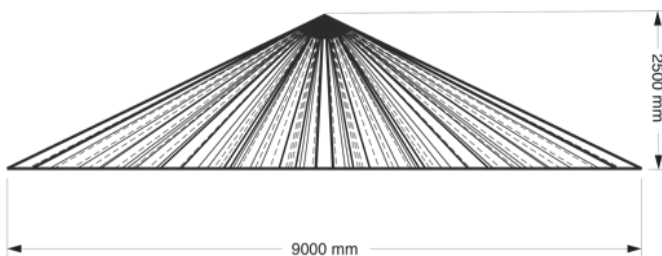
technical data

dimensions	61.5 x 61.5 x 32mm (48 - 51mm ceiling cutout)
Connection details	Connection to the Rakom wired network via WK-CONNECT interface unit (supplied with product)
input supply	15V supply from Rakom wired data bus
weight	47g
climate range	Temperature +2C to +40C Humidity +5% to 90% non condensing
IP Rating	IP20
standards	RoHS UKCA CE Emissions - EN61000-6-3 : 2021 Immunity - EN61000-6-1 : 2019
communication	Rakom wired network
memory	Flash memory (non volatile)

mechanical data



performance data - see instruction manual for detailed performance data and setup guide



telephone +44 (0) 1634 226666 www.rakocontrols.com