

## RK-PIR

### CEILING MOUNTED OCCUPANCY SENSOR

#### WHAT IS IT?

A ceiling mounted occupancy sensor which communicates over Rako wireless.

Different output actions at different times of day and other conditional functions via "HUB manage mode"

An RK-HUB or WK-HUB is required for programming and function of the RK-PIR.

Ceiling mounted occupancy sensor with smart time conditional features



#### OCCUPANCY SENSOR

The RK-PIR motion detector allows Rako wireless commands to be transmitted automatically when sensing movement.

The RK-PIR provides highly sensitive motion detection over a large area, presented in a discrete and aesthetically improved design. With two modes of operation the RK-PIR combines flexibility of function with ease of use.

A 48mm diameter ceiling cutout is required for mounting, it is held in place with internal metal clips, no fixing screws are required.

Features include:

- Programmable output actions based on motion detection.
- Select different scenes at different times for advanced day/night tracking functions (Hub managed mode only).
- Configurable auto-off timer saves energy by implementing absence detection.

data sheet

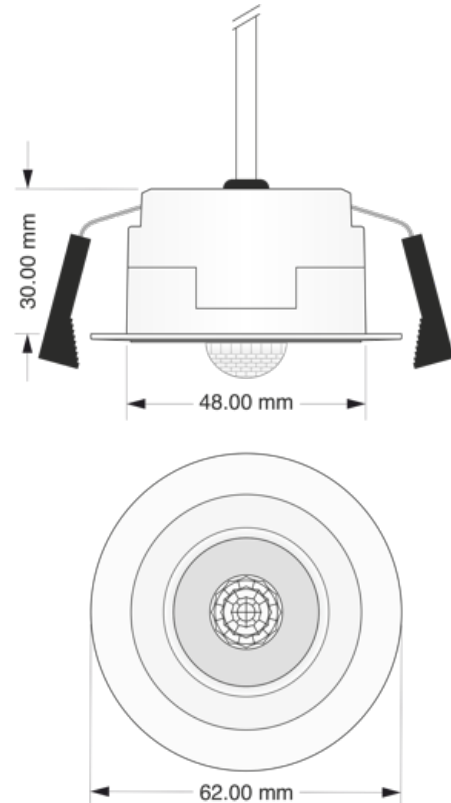
# RK-PIR

## CEILING MOUNTED OCCUPANCY SENSOR

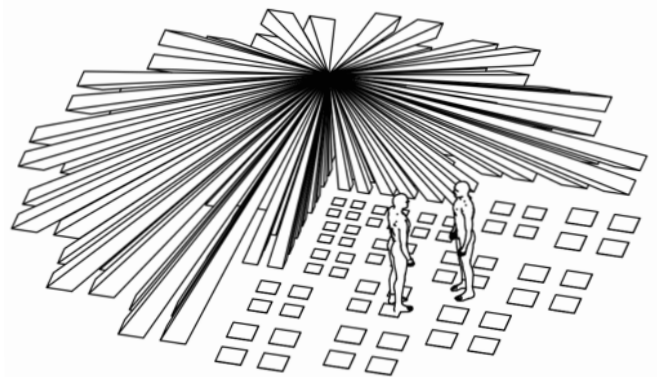
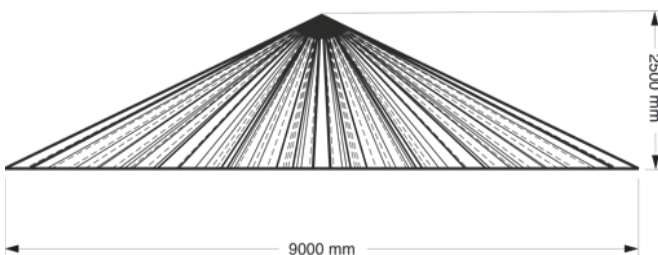
### technical data

dimensions	61.5 x 61.5 x 32mm (48 - 51mm ceiling cutout)
Connection details	Connection to the RK-BP via 2 pin connector male/female.
input supply	3v BATTERY PACK (included) Replace with 2 x AA 1.5V L91 Lithium (LiFeS2) batteries only (use of alkaline batteries will result in reduced service life)
weight	47g
climate range	Temperature +2C to +40C Humidity +5% to 90% non condensing
IP Rating	IP20
standards	RoHS UKCA CE Emissions - EN61000-6-3 : 2021 Immunity - EN61000-6-1 : 2019
communication	433.9MHz coded fm radio
memory	Flash memory (non volatile)

### mechanical data



performance data - see instruction manual for detailed performance data and setup guide



telephone +44 (0) 1634 226666 [www.rakocontrols.com](http://www.rakocontrols.com)