



Wireless

data sheet

RCI-4L

WIRELESS NFC PROGRAMMABLE LATCHING CONTACT INTERFACE UNIT



WHAT IS IT ?

A battery powered interface unit for up to 4 x 2 way latching volt-free switch inputs. Programmed by NFC (Near Field Communication) with macro capability.

Note: This product can only be programmed with a laptop and the Rako Hub or RAMPI programming interface.

The RCI-4L is a battery powered interface unit for up to 4 x 2 way latching volt-free switch inputs.



The RCI-4L accepts volt-free latching switch inputs and transmits wireless Rako coded Rakom messages to other Rako wireless receiver and Hub units.

The module is battery powered and is designed to fit in a standard UK backbox.

Programmable via Rako's] NFC (Near Field Communication) technology each of the 4 inputs can trigger a single command, multiple commands, toggle functions and more. They can also start an internal macro function on each state change of the switch, making this unit the ideal device for integrating third party wall-switches into a Rako environment.

For more information;

[Rako Overview Application Sheet](#)

[Wireless RAK Application Sheet](#)

[Wired RAK Application Sheet](#)



Wireless

data sheet

RCI-4L

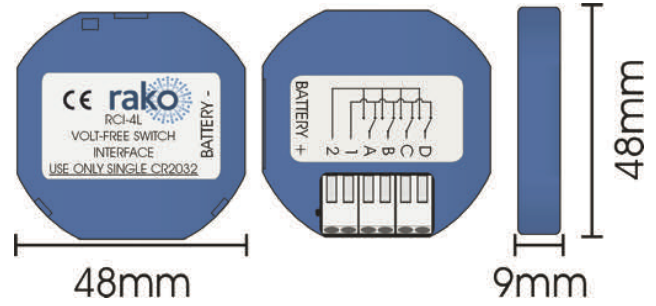
WIRELESS NFC PROGRAMMABLE LATCHING CONTACT INTERFACE UNIT



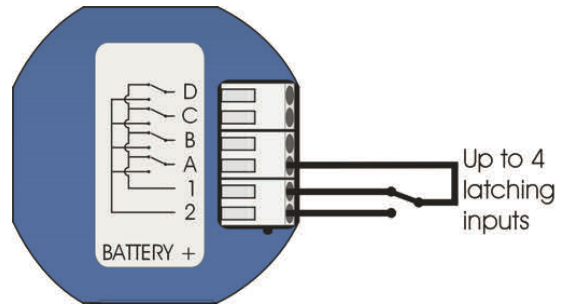
technical data

dimensions	48x48x9mm
input supply	3V DC - 1 x 3V Lithium coin cell CR2032 battery
weight	121g
housing	UL V0 material
climate range	Temperature +2C to +40C Humidity +5% to 95% non condensing
connections	6 way direct push-in Maximum lead length 300mm
terminal sizes	0.75mm ² max
standards	RoHS UKCA Emissions - EN61000-6-3 : 2007 Immunity - EN61000-6-1 : 2007
communication	433.9MHz coded FM radio
memory	Flash memory (non volatile)

mechanical data



connection details



telephone +44 (0) 1634 226666 www.rakocontrols.com

WE RESERVE THE RIGHT TO CHANGE THE SPECIFICATION AND DATA HEREWITH WITHOUT NOTICE.

© 2022 RAKO CONTROLS LIMITED