



Wireless

data sheet

RCI-7M

WIRELESS NFC PROGRAMMABLE MOMENTARY CONTACT INTERFACE UNIT



WHAT IS IT ?

A battery powered interface unit for up to 7 momentary volt-free switch inputs. Programmed by NFC (Near Field Communication) with macro capability.

Note: This product can only be programmed with a laptop and the Rako Hub or RAMPI programming interface.

The RCI-7M is a battery powered interface unit for up to 7 momentary volt-free switch inputs.



The RCI-7M accepts volt-free latching switch inputs and transmits wireless Rako wireless signals to other Rako wireless receiver and Hub units.

The module is battery powered and is designed to fit in a standard UK backbox.

Programmable via Rako's patented NFC (Near Field Communication) technology each of the 7 inputs can trigger a single or multiple commands. Each input is fully customisable, can be addressed to separate Rako Rooms or channels and activate on press, or release which gives a 'Press and Hold' function. Additionally each input can trigger an internal macro function, making the unit the ideal device for integrating third party wall-switches into a Rako environment.

For more information:

[Rako Overview Application Sheet](#)

[Wireless RAK Application Sheet](#)

[Wired RAK Application Sheet](#)



Wireless

data sheet

RCI-7M

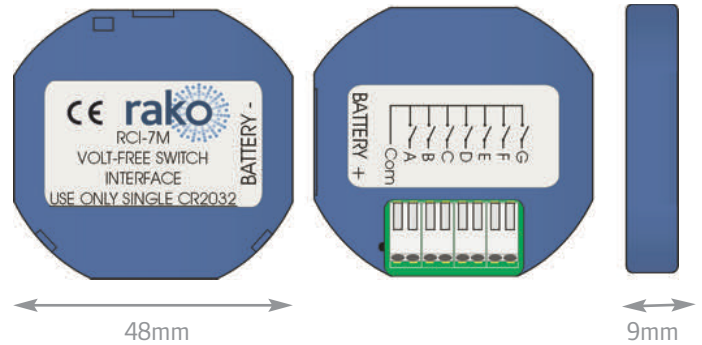
WIRELESS NFC PROGRAMMABLE MOMENTARY CONTACT INTERFACE UNIT



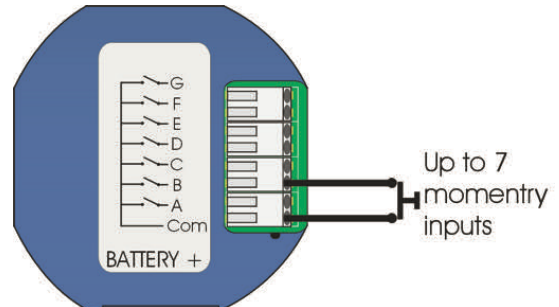
technical data

dimensions	48x48x9mm
input supply	3V DC - 1 x 3V Lithium coin cell CR2032 battery
weight	121g
housing	UL V0 material
climate range	Temperature +2C to +40C Humidity +5% to 95% non condensing
connections	8 way direct push-in Maximum lead length 300mm
terminal sizes	0.5mm ² cable max
standards	RoHS UKCA Emissions - EN61000-6-3 : 2007 Immunity - EN61000-6-1 : 2007
communication	433.9MHz coded FM radio
memory	Flash memory (non volatile)

mechanical data



connection details



telephone +44 (0) 1634 226666 www.rakocontrols.com

WE RESERVE THE RIGHT TO CHANGE THE SPECIFICATION AND DATA HEREWITH WITHOUT NOTICE.

© 2022 RAKO CONTROLS LIMITED