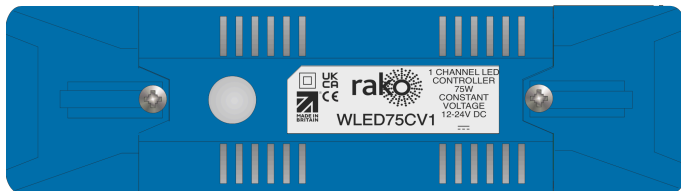




# Instruction Manual

## WLED75CV1

Wired Single Channel Constant Voltage Dimmer



2024  
Version 2.2.0



For programming system programming information: [Wired system setup guide.](#)

For a general overview: [Wired RAK application sheet.](#)

## Contents

[1 What is the WLED75CV1?](#)

[2 Loadings](#)

[3 Installing the WLED75CV1](#)

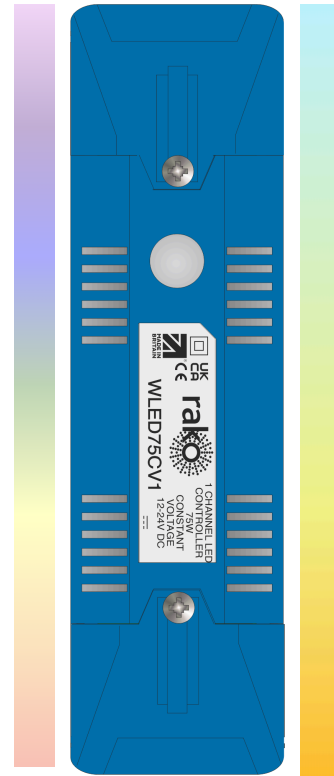
[4 Terminating the WK-CONNECT](#)

[5 Adding the WLED75CV1 into Rasoft Pro](#)

[Appendix 1 - Wiring Examples](#)

[A1.1 STAR Wiring](#)

[A1.2 Radial Wiring](#)



## 1 What is the WLED75CV1?

The WLED75CV1 is a single Channel constant voltage dimmer used in a Rako Wired network.

The RJ11 port on the WLED75CV1 is used to connect to the Rako Wired network, if it is not connected to one of the RAK-LINKs RJ11 ports, a WK-CONNECT is required.

## 2 Loadings

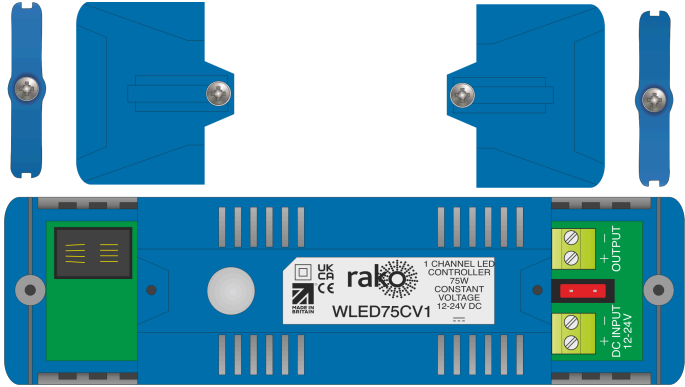
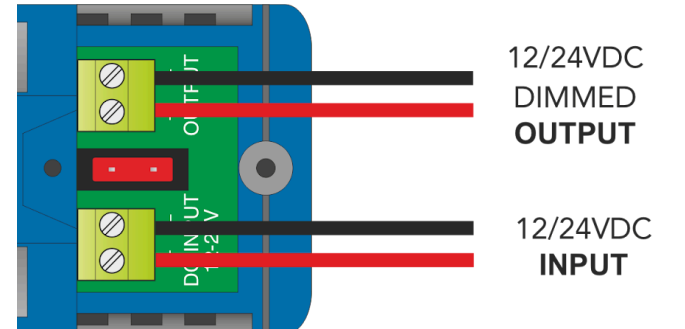
Voltage (MAX)	Wattage (MAX)
12VDC	75W
24VDC	150W

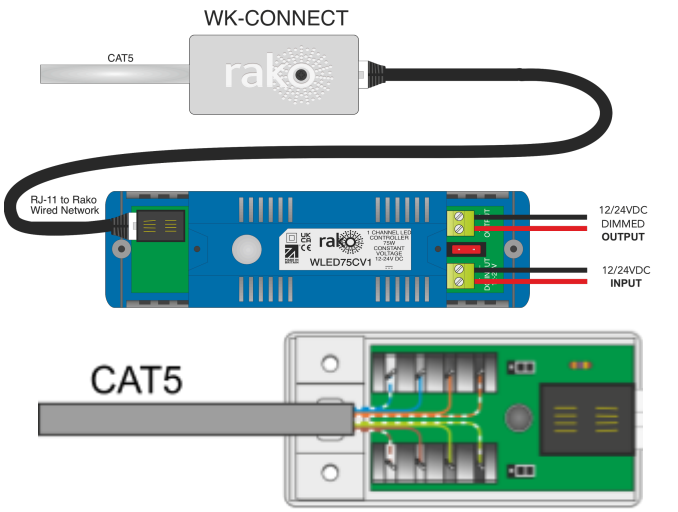
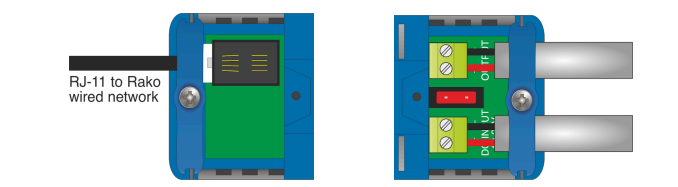
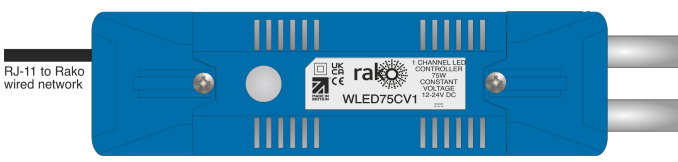
### 3 Installing the WLED75CV1

#### **⚠ WARNING**

Installation should only be carried out by a competent electrician.  
**DO NOT CONNECT DIRECTLY TO THE MAINS SUPPLY.**

- WLED75CV1 modules should be mounted in areas that are adequately ventilated, and dry.
- Modules should be mounted vertically, with the terminals at the bottom, or horizontally.
- While the modules are designed to be maintenance-free, they should be mounted in an accessible location should investigation or re-addressing of the units be necessary.
- Ensure that the cable clamps are fitted tightly to secure the cables.
- The unit input voltage is 12V or 24V DC, and the power supply must be adequately rated for the connected load.

<p>STEP 1</p>		<p>Remove the covers and cable clamps.</p>
<p>STEP 2</p>		<p>Connect the 12/24V DC power supply to the 'DC Input' terminals.</p> <p>Connect the 12/24V load to the 'Output' terminals.</p> <p><b>NB</b>          The connected power supply must be adequately rated for the load.</p>

<p>STEP 3</p>		<p>Connect the RJ11 cable to the RJ11 port.</p> <p>If the WK-CONNECT is used, connect the opposite side of the RJ11 cable to the WK-CONNECT RJ11 port.</p> <p>The WK-CONNECT punch-down connection can accept up to two CAT5 or CAT6 cables.</p>
<p>STEP 4</p>		<p>Secure the cables with the cable clamps provided.</p>
<p>STEP 5</p>		<p>Replace the covers.</p>

## 4 Terminating the WK-CONNECT

The WK-CONNECT is used to connect between the WLED75CV1 and the Rako Wired network. The WK-CONNECT must be terminated correctly otherwise the WLED75CV1 will not function. The termination requirements depend on the nature of the installation and the position of the WK-CONNECT within the system.

### No TERM - Both Jumpers removed

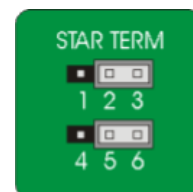
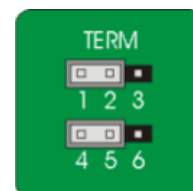
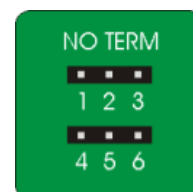
When the WK-CONNECT is not at the end of line. This is usually identifiable by two cables being punched down to the WK-CONNECT.

### TERM - Jumper fitted across 1+2 & 4+5

When the WK-CONNECT is the end of line in a daisy chain configuration.

### STAR TERM - Jumper fitted across 2+3 & 5+6

When the WK-CONNECT is end of line in a STAR wire configuration.



## 5 Adding the WLED75CV1 into Rasoft Pro

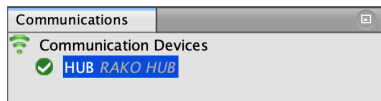
Once the WLED75CV1 has been installed and connected to the Rako Wired network, it needs to be assigned as a Device in Rasoft Pro.

The following steps assume:

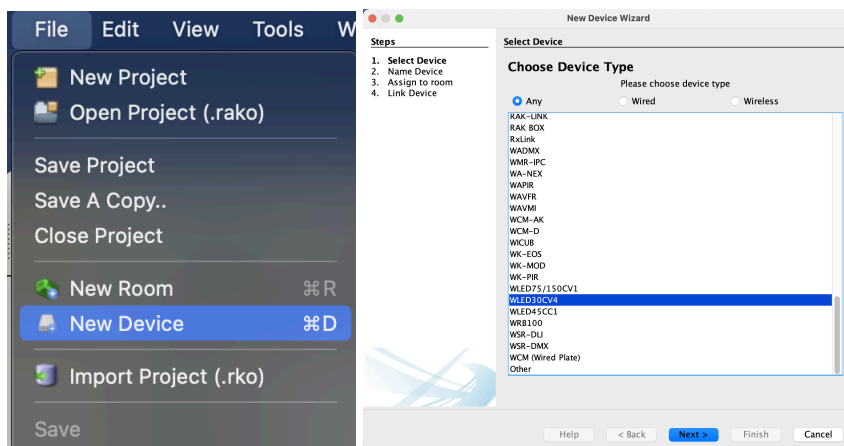
- A Project File has been created.
- Rooms have been added to the Project File.
- Channels have been added to the Project File.
- The HUB has been configured.

If any of the above steps have not been completed, see [Wired System Setup Guide](#).

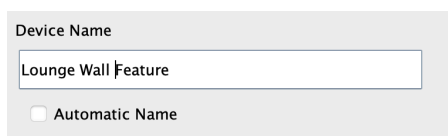
- Connect to the HUB in the communications window by double-clicking it, there will be a green tick to confirm the connection has been successful.



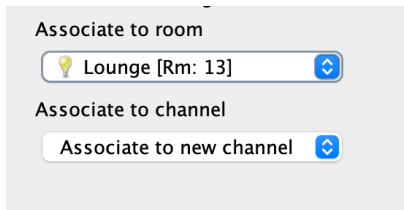
- Select "File" - "New device" to bring up the "New device Wizard" and choose "WLED75CV1" from the list.



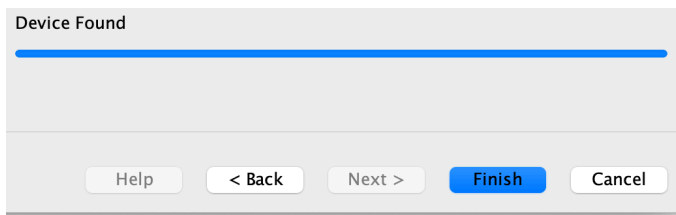
- Choose a Device name, if multiple devices are being programmed it is advised to add a unique description. To assign an automatic name and leave the text field blank, tick the box 'Automatic Name'.



- Assign the WLED75CV1 a Room, and leave 'Associate to new Channel' blank.



- Press and hold the clear button on the WLED75CV1 for 3-4 seconds until it starts to flash, 'Device Found' will appear in the software window.



- Select 'Finish'.

**NB**

The Rako Wired network must be connected and powered to the WLED75CV1 for pairing to be successful.

The WLED75CV1 has now been added as a Device, the Channel for the Device can be found by selecting the Room it was programmed to.

---

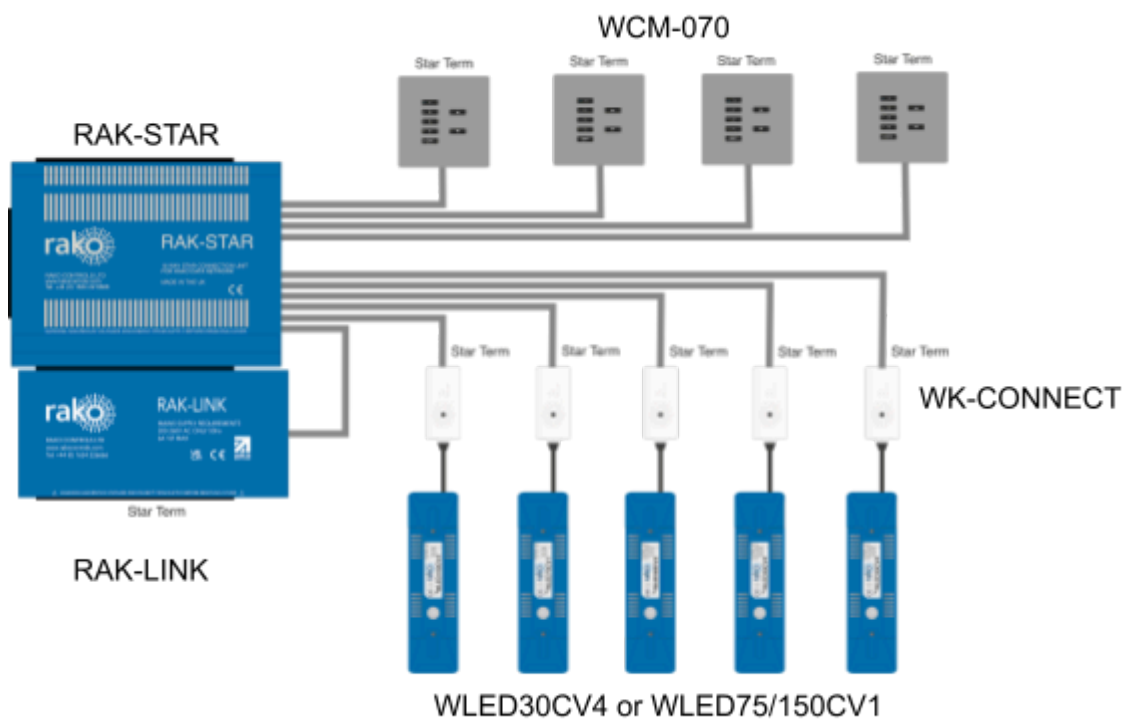
Thank you for choosing Rako Controls; we hope that you are pleased with your system. Should you require further assistance, please contact us via our website, [www.rakocontrols.com](http://www.rakocontrols.com), or by calling our customer support helpline on 01634 226666.



## Appendix 1 - Wiring Examples

### A1.1 STAR Wiring

Star Wired systems are connected back to the RAK-STAR unit with individual runs of CAT5 or CAT6 cable, there can be multiple Devices on a single run, although the end of line must be set to 'STAR' at the end of line.



## A1.2 Radial Wiring

Radial wiring connects two or more Devices together in a single continuous run, each end of line must have a 'Term' set on the termination jumpers.

