

Wired

data sheet

## RAK-STAR

18-WAY CONNECTION UNIT FOR STAR WIRED NETWORKS



### WHAT IS IT?

A wired connection unit allowing multiple CAT5 "STAR" cables to be connected to the Rako wired network. The RAK-Star also allows each 'leg's' data and power to be individually isolated making cable fault finding easier.

No additional power supply is required, the unit is fed from the RAK-LINK units via the wired (CAT5) network.

The RAK-STAR is required when the wired (CAT5) network is wired in a "STAR"



### STAR PERFORMANCE

The RAK-STAR can connect up to eighteen legs of the wired network. Each leg can contain between one and ten wired devices. Connection for the wired network are made via eighteen pairs of 4 way Krone "punch down" connectors.

Using this method of installation rather than a standard daisy chain is generally preferable for larger systems. Each connection on the RAK-STAR has a switch to isolate the data and a jumper to isolate the power. These can be used to greatly reduce the time taken to fault find cabling issues. Also the common 1.5V power at the start of each leg reduces volt-drop issues associated with longer CAT5 runs.

Some additional rules apply

Two RJ11 sockets within the unit allow the connection of additional wired units such as the WK-Hub interface, WAVFR etc.

Please refer to "Wired RAK Application Sheet" for general wired system information.



Wired

data sheet

# RAK-STAR

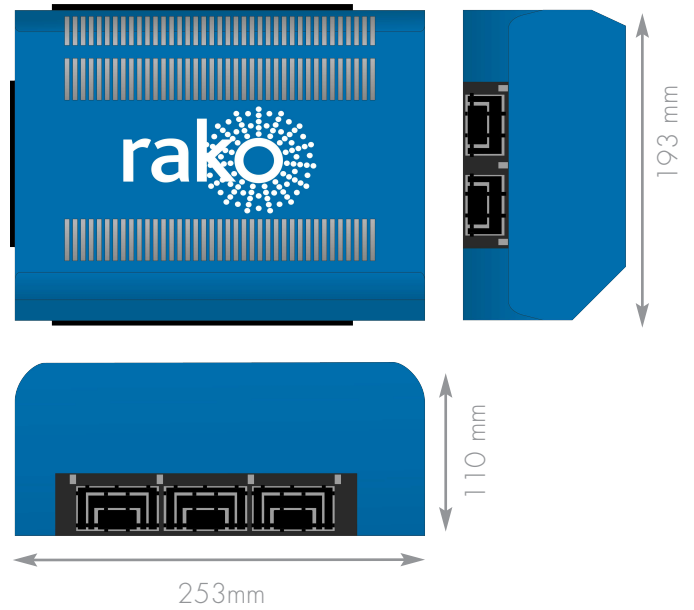
18-WAY CONNECTION UNIT FOR STAR WIRED NETWORKS



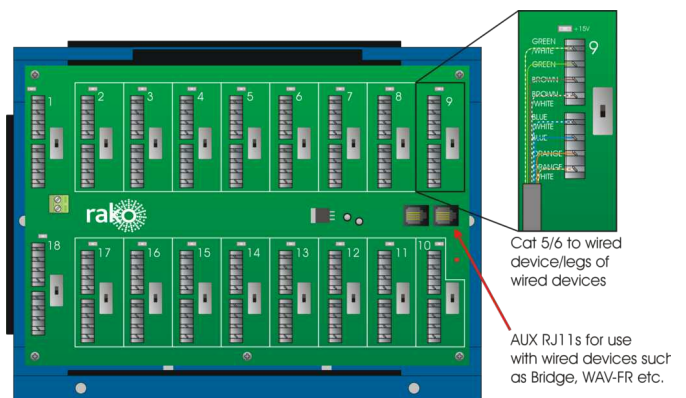
## technical data

dimensions	193x253x110mm
input supply	Power supplied via wired network
cat5 outputs	18
housing	Powder coated galvanised steel
weight	3.0Kg
climate range	Temperature +2C to +40C Humidity +5% to 95% non condensing
cable type	UTP CAT5e or CAT6
cat5 outputs	18
terminals	Krone punch down
cable entry	Multiple knockouts on top, bottom, side and rear
standards	RoHS UKCA Emissions - EN61000-6-3 : 2007 Immunity - EN61000-6-1 : 2007
communication	Rakom Wired Network - CAN and RS485

## mechanical data



## connection details



telephone +44 (0) 1634 226666 [www.rakocontrols.com](http://www.rakocontrols.com)

WE RESERVE THE RIGHT TO CHANGE THE SPECIFICATION AND DATA HEREWITH WITHOUT NOTICE.

© 2022 RAKO CONTROLS LIMITED