



Combined
data sheet

RAK8-MB

8 CHANNEL MOTHERBOARD FOR MULTIPLE PLUG IN MODULES



WHAT IS IT ?

An eight slot motherboard which forms the base of a RAK8 dimmer array. Designed to be wall mounted in an electrical cupboard.

Any combination of six different pluggable modules can be fitted into the 8 slot motherboard allowing for greater flexibility during both specification and installation.

Controlled from any Rako wireless or wired device, for example the RCM/RNC, RK-EOS, RK-MOD, WCM, WK-EOS or WK-MOD keypads.

The RAK8-MB dimmer rack to be populated with pluggable dimmer modules



The RAK8 dimmer array can be used as a single device or several can be joined together to form a multi-way stack.

The RAK8-MB dimmer requires a separate LINK device (receiver) to function correctly within the system. Either the wireless receiver (RxLINK) or the wired receiver (RAK-LINK). These receivers and RAKs communicate using RJ45 patch lead(s).

Up to 16 channels can be used per RxLINK and up to 32 circuits when a RAK-LINK is used.

All memory is stored on the motherboard rather than the pluggable module meaning they can be swapped without the need to be re-programmed.

The RAK8-MB can be controlled from any Rako transmitter (subject to its connection to a valid Link device): RCM/RNC, RK-EOS and RK-MOD wireless keypads, WCM, WK-EOS and WK-MOD wired keypads, PIRs, Hubs etc.

Each RAK8 box needs to be fed by a 10A Type B MCB.

For more information:

[Rako Overview Application Sheet](#)

[Wireless RAK Application Sheet](#)

[Wired RAK Application Sheet](#)



Combined

data sheet

RAK8-MB

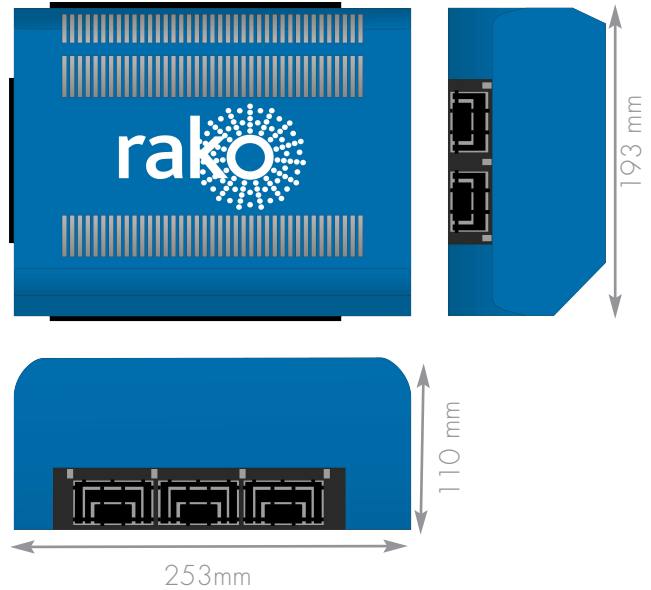
8 CHANNEL MOTHERBOARD FOR MULTIPLE PLUG IN MODULES



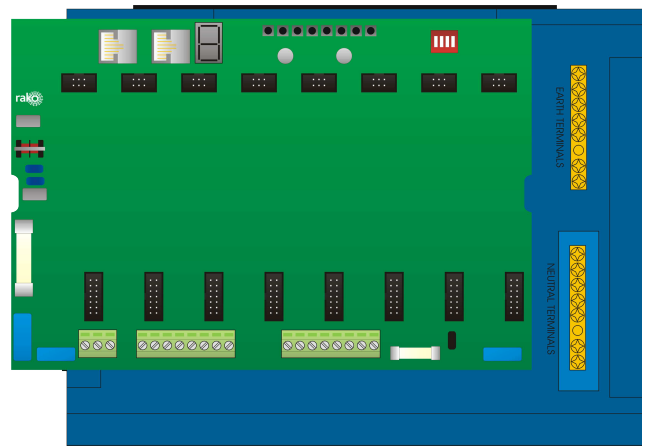
technical data

| | |
|----------------|---|
| dimensions | 193x253x110mm |
| input supply | 200-260V AC 50/60Hz 10A Type B MCB protection required |
| weight | 3.5Kg |
| fuse | 5A 20mm Fuse 15A 35mm Fuse |
| housing | Powder coated galvanised steel |
| climate range | Temperature +2C to +40C Humidity +5% to 95% non condensing |
| connections | 3 way screw terminal for mains supply 8 way terminal for test outputs 8 way terminal for main outputs |
| load types | See individual data sheet for pluggable modules |
| terminal sizes | 2.5mm ² - Stranded 4.0mm ² - Solid |
| cable entry | Multiple knockouts on top, bottom, side and rear |
| standards | RoHS UKCA Emissions - EN61000-6-3 : 2007 Immunity - EN61000-6-1 : 2007 |
| communication | RS485 to other RAKs, RX-Link and RAK-Link |
| memory | Flash memory (non volatile) |

mechanical data



connection details



telephone +44 (0) 1634 226666 www.rakocontrols.com

WE RESERVE THE RIGHT TO CHANGE THE SPECIFICATION AND DATA HEREWITH WITHOUT NOTICE.

© 2022 RAKO CONTROLS LIMITED