



# Instruction Manual

# RACUB

## Curtain & Blind Controller



2024  
Version 2.0.0



For more information relating to the RACUB see the [Wireless Module Application Sheet](#), and [Wireless Device LED Diagnostics](#).

For programming a Wireless system, including the device in this manual: [Wireless Module Programming Guide](#)

## Contents

[1 What is the RACUB?](#)

[2 Loadings](#)

[3 Installation](#)

[4 Initial Checks](#)

[5 Programming the RACUB](#)



### 1 What is the RACUB?

A RACUB is a dual relay switching module designed for motor control, it is suitable for controlling curtains, blinds and 3rd party volt-free contacts.

The RACUB can be programmed for basic functionality using an RCM switch, although it is highly recommended to use Rasoft Pro and a compatible programming device such as the RAMPI or RK-HUB.



### 2 Loadings

Load Type	Load Voltage	Max Load
 AC Motor	230VAC	2A
 DC Motor	12VDC	2A


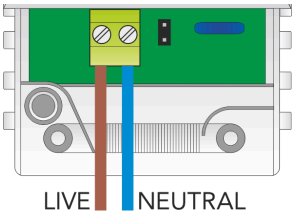
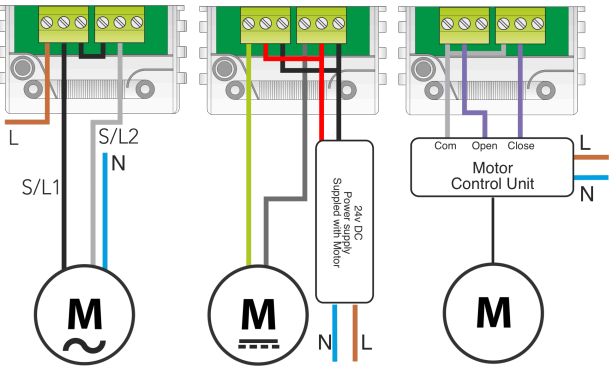

### 3 Installation

#### **⚠ WARNING**

Ensure the limits are set on the connected motors before energising the RACUB.  
 Installation should only be carried out by a competent electrician.

- RACUB modules should be mounted in areas that are adequately ventilated, dry, and outside of any enclosed metal casings that may interfere with the Wireless signal.

- Modules should be mounted vertically, with the terminals at the bottom, or horizontally.
- While the modules are designed to be maintenance-free, they should be mounted in an accessible location should investigation or re-addressing of the units be necessary.
- Ensure that the cable clamp is fitted tightly to secure the cables.

STEP 1		Remove the covers and cable clamps
STEP 2	 <p style="text-align: center;">LIVE    NEUTRAL</p>	<p>Insert the mains supply IN conductors.</p> <p>Replace the cover and clamp for the input side of the RACUB.</p>
STEP 3	 <p style="text-align: center;">MAINS MOTOR   DC MOTOR   DRY CONTACT</p>	<p>Choose one of the three common wiring options.</p> <p><b>NB</b> Always check with the motor manufacturer for compatibility before installing.</p>
STEP 4		Ensure that both covers and clamps are replaced on both ends of the RACUB.

## 4 Initial Checks

- A Wireless keypad can be used to test the relays on the default programming of House 1 Room 4.
- The internal LED behind the 'Magnet' side of the module will flicker when the module receives any Rako Wireless message and is a useful diagnostic indicator.

## 5 Programming the RACUB

Once the RACUB has powered up, it can be tested working with a House 1 Room 4 Keypad using the Raise and Lower buttons, then the device is ready to be programmed. For instructions on how to program the RACUB, see section "3.3 - Modules with magnet setup" in the [Wireless Module Setup Guide](#).

---

Thank you for choosing Rako Controls; we hope that you are pleased with your system. Should you require further assistance, please contact us via our website, [www.rakocontrols.com](http://www.rakocontrols.com), or by calling our customer support helpline on 01634 226666.

