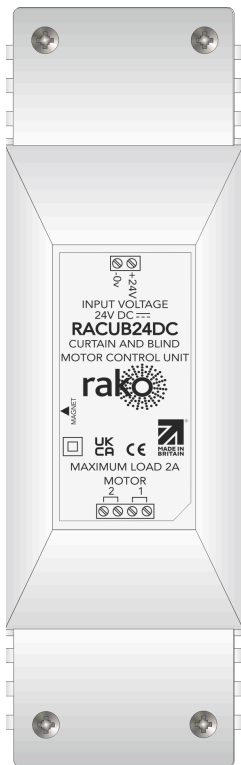




# Instruction Manual

# RACUB24DC

Mains Curtain & Blind Controller



2024  
Version 2.0.0



For more information relating to the RACUB24DC see the [Wireless Module Application Sheet](#), and [Wireless Device LED Diagnostics](#).

For programming a Wireless system, including the device in this manual: [Wireless Module Programming Guide](#)

## Contents

[1 What is the RACUB24DC?](#)

[2 Loadings](#)

[3 Installation](#)

[4 Initial Checks](#)


[5 Programming the RACUB24DC](#)

## 1 What is the RACUB24DC?

A RACUB24DC is a dual relay switching module designed for motor control, it is suitable for controlling 24V curtain or blind motors.

The RACUB24DC can be programmed for basic functionality using an RCM switch, although it is highly recommended to use Rasoft Pro and a compatible programming device such as the RAMPI or RK-HUB.

## 2 Loadings

Load Type	Load Voltage	Max Load
 DC Motor	24VDC	2A


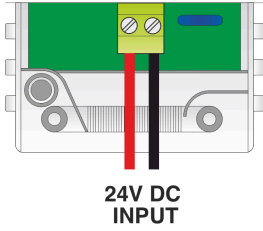
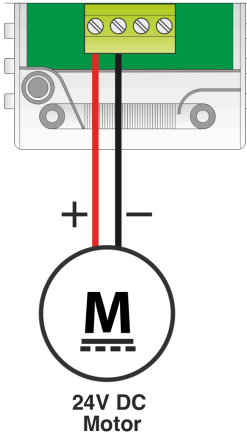

## 3 Installation

### **⚠ WARNING**

**Ensure the limits are set on the connected motors before energising the RACUB24DC. Installation should only be carried out by a competent electrician.**

- RACUB24DC modules should be mounted in areas that are adequately ventilated, dry, and outside of any enclosed metal casings that may interfere with the wireless signal.
- Modules should be mounted vertically, with the terminals at the bottom, or horizontally.
- While the modules are designed to be maintenance-free, they should be mounted in an accessible location should investigation or re-addressing be necessary.
- Ensure that the cable clamp is fitted tightly to secure the cables.



STEP 1		Remove the covers and cable clamps
STEP 2	 <p style="text-align: center;"><b>24V DC INPUT</b></p>	<p>Insert the supply IN conductors.</p> <p>Replace the cover and clamp for the input side of the RACUB24DC.</p>
STEP 3	 <p style="text-align: center;"><b>24V DC Motor</b></p>	<p>Connect the mains motor to the output terminals of the RACUB24DC.</p> <p><b>NB</b> Always check with the motor manufacturer for compatibility before installing.</p>
STEP 4		Ensure that both covers and clamps are replaced on both ends of the RACUB24DC.

## 4 Initial Checks

- A wireless keypad can be used to test the relays on the default programming of House 1 Room 4.
- The internal LED behind the 'Magnet' side of the module will flicker when the module receives any Rako wireless message and is a useful diagnostic indicator.

## 5 Programming the RACUB24DC

Once the RACUB24DC has powered up, it can be tested working with a House 1 Room 4 Keypad using the Raise and Lower buttons, then the device is ready to be programmed. For instructions on how to program the RACUB24DC, see section "3.3 - Modules with magnet setup" in the [Wireless Module Setup Guide](#).

---

Thank you for choosing Rako Controls; we hope that you are pleased with your system. Should you require further assistance, please contact us via our website, [www.rakocontrols.com](http://www.rakocontrols.com), or by calling our customer support helpline on 01634 226666.

