



Wireless

data sheet

## RSR-DLI

WIRELESS ADDRESSABLE DALI CONTROL MODULE



### WHAT IS IT ?

The RSR-DLI is a wireless receiver module which can control 15 channels of addressable DALI fittings in a single Rako Room.

Individual DALI fittings can be grouped into Rako channels and the unit includes an address recovery function should one DALI fitting need replacing.

Controlled from any Rako Wireless device, for example, the RCM/RNC push button wireless wall-plates.

The RSR-DLI is a wireless control module giving control of up to 15 addressable channels of DALI controllable fittings in a single Rako Room



### ADDRESSABLE DALI CONTROL

The RSR-DLI allows a Wireless Rako system to fully control an addressable DALI system. The module comes with an external 18V DC power supply that powers the DALI network.

When used with compatible DT8 Ballasts, the RSR-DLI can be used for RGBW and colour-tunable control.

Programmed using Rasoft Pro which provides auto addressing of DALI devices. Control of DALI groups allows the user to achieve a logical arrangement of devices for programming. The RSR-DLI controls up to 64 DALI devices grouped into 15 Channels of control in a single Rako Room. House, Room and Channel address plus 16 preset Scene levels are stored in a non-volatile memory.

The RSR-DLI can be controlled from any Rako transmitter such as RCM/RNC keypads, RK-HUB and RK-PIR. It can also be controlled from a wired network via a WK-HUB

For more information:

[Rako Overview Application Sheet](#)

[Wireless Module Application Sheet](#)

[Wireless RAK Application Sheet](#)



Wireless

data sheet

# RSR-DLI

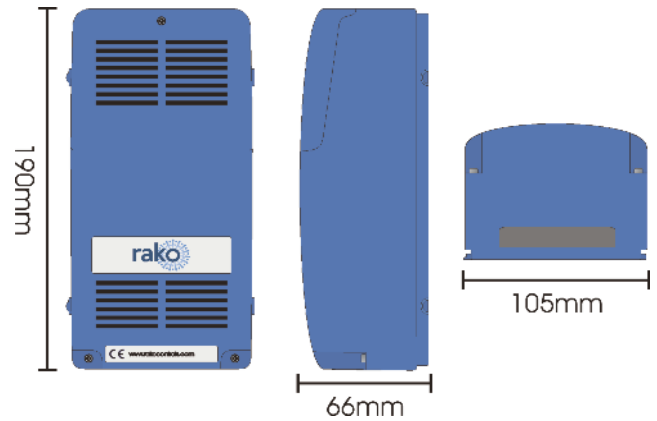
WIRELESS ADDRESSABLE DLI CONTROL MODULE



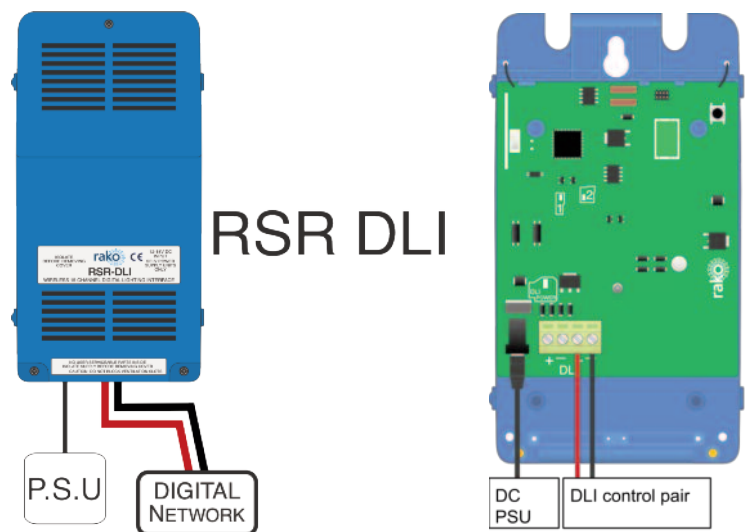
## technical data

dimensions	190x105x66mm
input supply	12V DC from RAPSU or equivalent Connection via concentric jack 18V supply for DALI network
dali connections	4 way screw terminal for loop in loop out
weight	305g
housing	UL V0 ABS
climate range	Temperature +2C to +40C Humidity +5% to 95% non condensing
standards	Emissions - EN61000-6-3 : 2007 Immunity - EN61000-6-1 : 2007 LVD - EN 60950-1 :2006
communication	Rakom coded fm radio, 433.9MHz
memory	Flash memory (non volatile)

## mechanical data



## connection details



telephone +44 (0) 1634 226666    [www.rakocontrols.com](http://www.rakocontrols.com)

WE RESERVE THE RIGHT TO CHANGE THE SPECIFICATION AND DATA HERewith WITHOUT NOTICE.

© 2024 RAKO CONTROLS LIMITED