



Wired

data sheet

WMR-DLI

ADDRESSABLE DALI CONTROL MODULE FOR RAKO WIRED NETWORK



WHAT IS IT ?

The WMR-DLI is a Wired module which can control 15 channels of addressable DALI ballasts in multiple Rooms.

Individual DALI ballasts can be grouped into Rako Rooms/Channels and the unit includes an address recovery function should one DALI fitting need replacing.

Controlled from any Rako Wired device, for example, the WCM, WK-EOS, WK-MOD, WK-PIR, WAVFR and WAVMI.

The WMR-DLI is a Rako wired system control module giving control of up to 15 addressable channels of DALI controllable ballasts in multiple Rooms



MULTIROOM ADDRESSABLE DALI CONTROL

The WMR-DLI is a multi-room DALI controller used in a DALI addressable network. The Room grouping feature on the WMR-DLI enables up to 64 ballasts to be grouped with a maximum limit of 16 Rooms.

The WMR-DLI is fitted with an RJ11 socket for connection to a RAK-LINK or RAK-STAR. It can also be connected to the Wired network using the punch-down connections on the daughterboard with a CAT5 or CAT6 cable.

Once configured in Rasoft Pro, The WMR-DLI can be controlled from the Wired network with Rako Wired controllers such as the WCM, WK-EOS, WK-MOD, WK-PIR, WAVFR, and WAVMI.

When used with compatible DT6 or DT8 ballasts, the WMR-DLI can be used for RGBW and colour-tunable LEDs.

For additional information relating to the installation and programming of the WMR-DLI, see below:

For more information:

WMR-DLI Instruction Manual

Wired System Setup Guide



Wired



data sheet

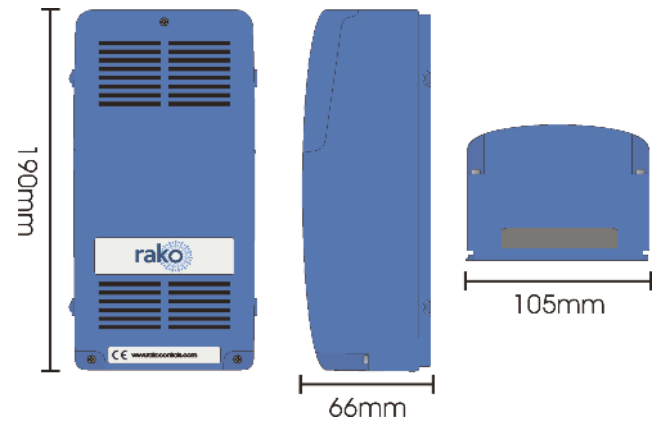
WMR-DLI

ADDRESSABLE DLI CONTROL MODULE FOR RAKO WIRED NETWORK

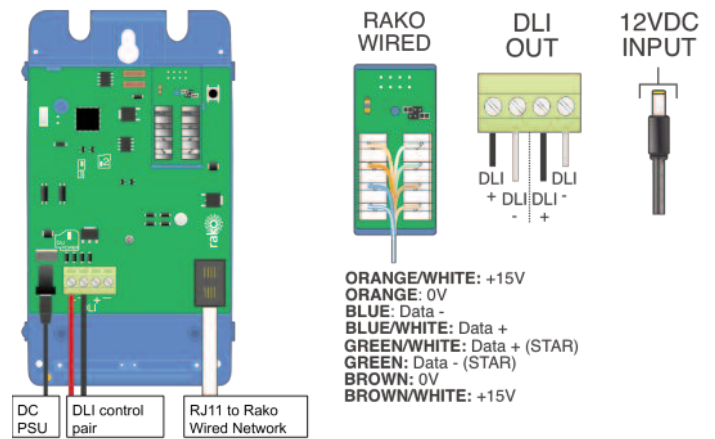
technical data

dimensions	190x105x66mm
input supply	18V supply for DALI network 15V from Rako Wired network
dali connections	4 way screw terminal for loop in loop out
weight	320g
housing	UL V0 ABS
climate range	Temperature +2C to +40C Humidity +5% to 95% non condensing
Wired connections	Rako Wired network - RJ11 Socket or Krone Connector
standards	RoHS UKCA Emissions - EN61000-6-3 : 2007 Immunity - EN61000-6-1 : 2007 LVD - EN 60950-1 :2006
communication	Wired network - CAN Output - DALI
memory	Flash memory (non volatile)

mechanical data



connection details



telephone +44 (0) 1634 226666 www.rakocontrols.com

WE RESERVE THE RIGHT TO CHANGE THE SPECIFICATION AND DATA HEREWITH WITHOUT NOTICE.

© 2024 RAKO CONTROLS LIMITED