

Dual Relay Wiring Summary



Overview

Rako dual relay products can control blind/motor/screens of three main types: 240V, 24V polarity and contact closure:

The products used for each is outlined in the table below:

240V Mains Switching	24V Polarity	Contact Closure
RACUB	RACUB	RACUB
RACUB-2L	RACUB-24VDC	WM-CUB
WM-CUB	WM-CUB	RAK4-R
RAK4-R	RAK4-R	

Mains switching

The RACUB, RACUB-2L, WM-CUB & RAK4-R are used for “mains switching blinds”. The six way terminal block is fed with permanent mains and has two switched outputs. A three core and earth cable should be run from the RACUB, RACUB-2L, WM-CUB or RAK4-R to the blind.

Contact Closure

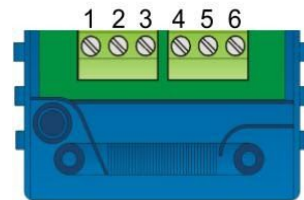
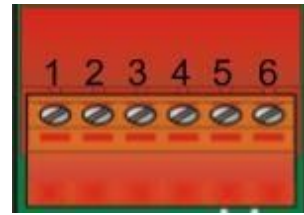
The RACUB, WM-CUB & RAK4-R can also be used to provide a low voltage/volt free control signal to the blinds. In this case, usually, a 3 core cable is run from the RACUB, WM-CUB & RAK4-R to the blind control box.

24V Polarity switching

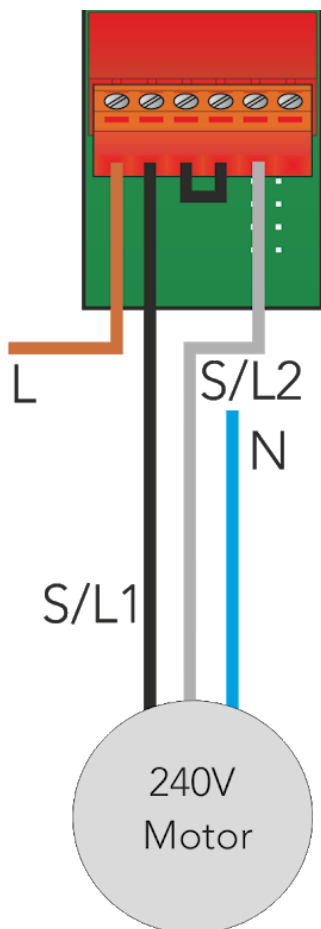
The RACUB, RACUB-24VDC, WM-CUB & RAK4-R can also be used to control 24V polarity switching blinds. A separate 24V power supply is required and a two core cable should be run from the RACUB, RACUB-24VDC, WM-CUB or RAK4-R to the blind.

[RACUB/WM-CUB - Mains \(240V\) switching:](#)

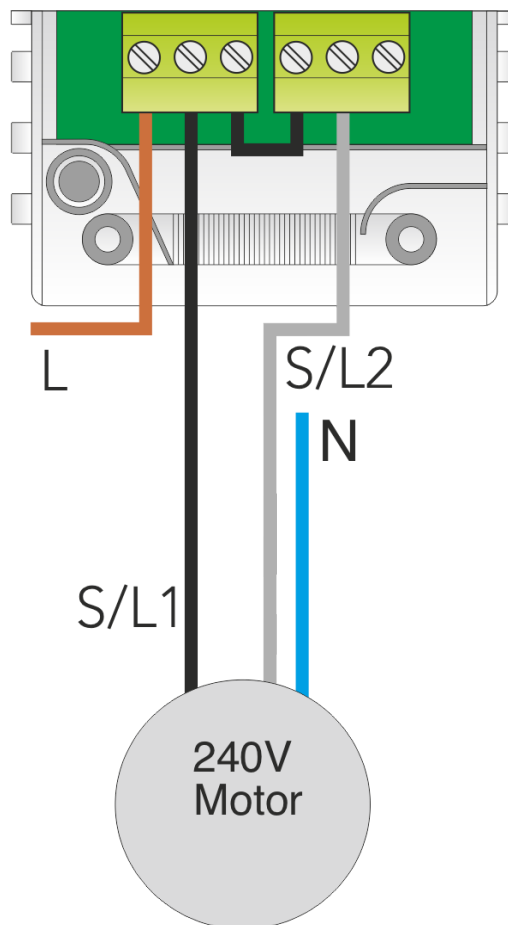
Terminal	240V Mains Switching
1	Permanent Mains
2	Relay A Output (Open)
3	Linked to 4
4	Linked to 3
5	Relay B Output (Close)
6	Not used



WM-CUB:

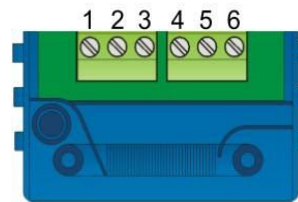


RACUB:



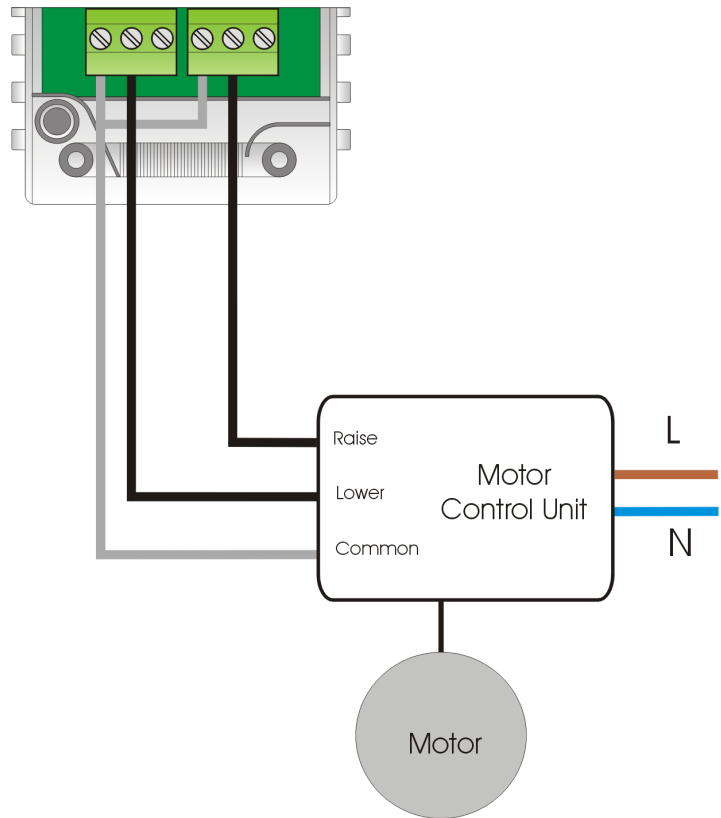
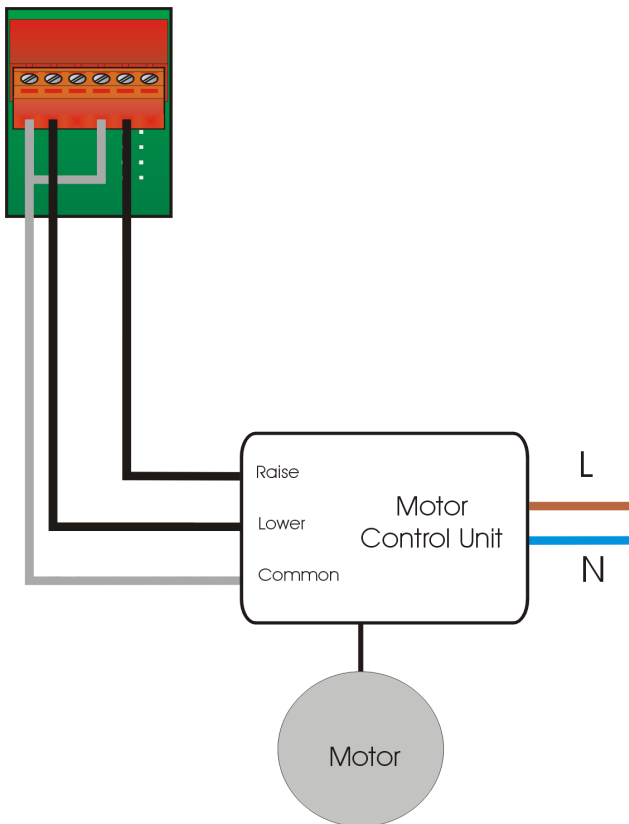
RACUB/WM-CUB - Contact closure:

Terminal	Contact closure
1	Common
2	Relay A Output (Open)
3	Not Used
4	Common
5	Relay B Output (Close)
6	Not Used



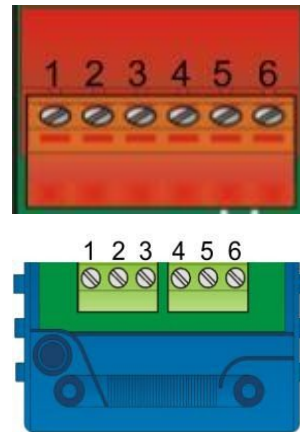
WM-CUB:

RACUB:

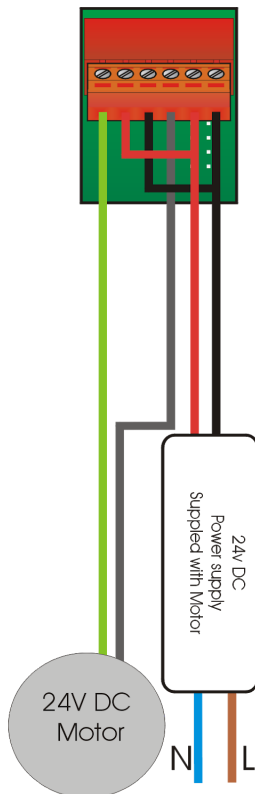


RACUB/WM-CUB - 24V Polarity Switching:

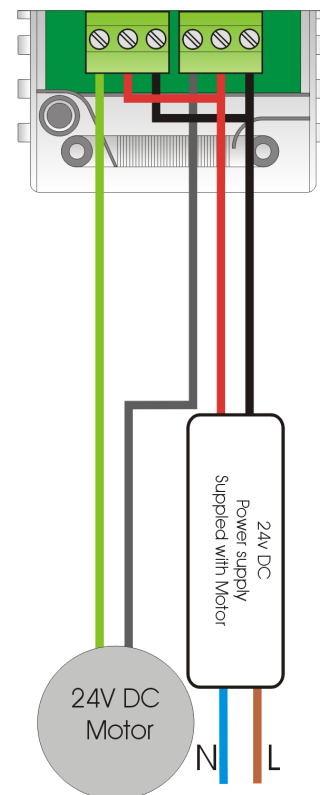
Terminal	24V Polarity
1	Relay A Output (Open)
2	+24V from PSU
3	0V from PSU
4	Relay B Output (Close)
5	+24V from PSU
6	0V from PSU



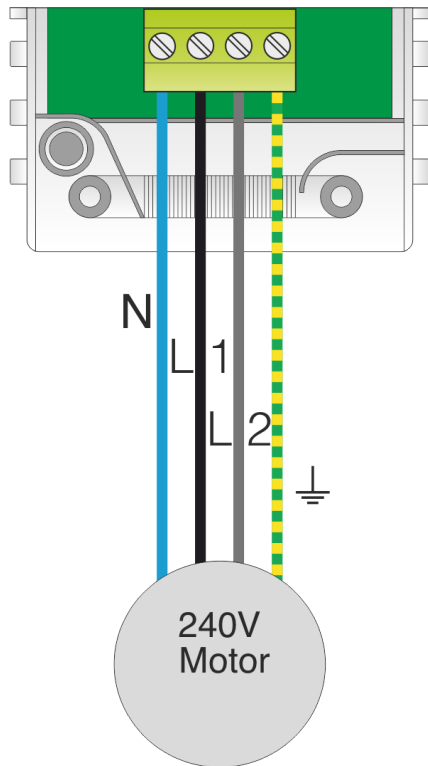
WM-CUB:



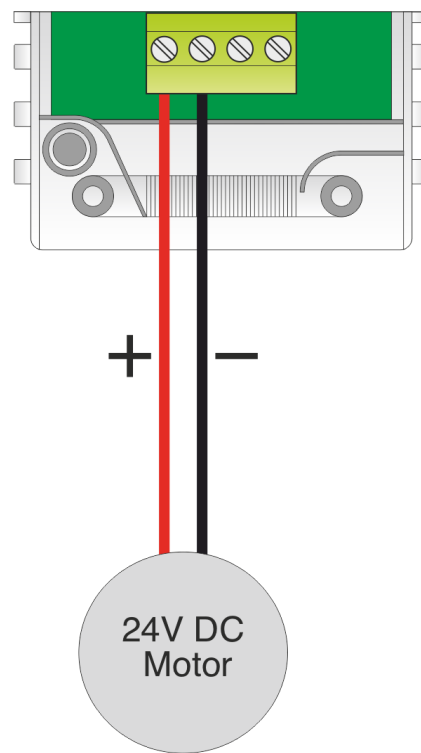
RACUB:



RACUB2L- 240V Motor



RACUB24V- 24V Motor



Rako thanks you for having purchased a Rako product and hopes that you are pleased with your system. Should for any reason you need to contact us please contact us via our website www.rakocontrols.com or by phoning our customer help line on 01634 226666.

