



# Datasheet

## WAVMI

### 5-Way Mains Contact Interface



### What is the WAVMI?

The WAVMI is a mains switching interface used in a Rako Wired network, it has five mains switching inputs.

The WAVMI functions to interface with third-party switching sources such as PIRs, Fire Alarms and Gate Controls.

A WK-HUB and Rasoft Pro is required to program the WAVMI.

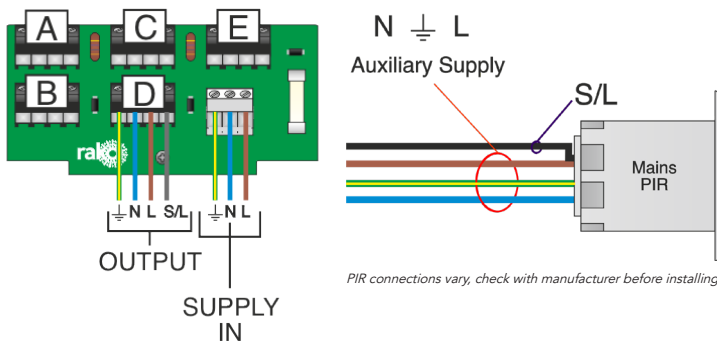
### Features

- Multi-room control
- Up to five inputs
- Customisable output commands
  - Scenes (1-16)
  - Level (0-100%)
  - Off
  - Toggle
  - Whole house On/Off

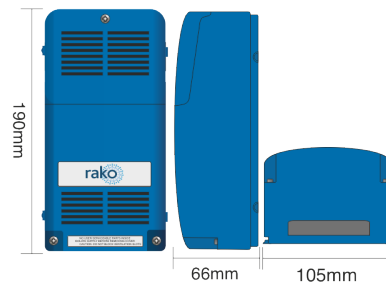
### Technical Data

|               |   |
|---------------|---|
| Dimensions    | 190x105x66mm  |
| Input Supply  | Mains supply - 230V AC<br>Wired network - 15V DC via RAK-LINK   |
| Weight        | 350g  |
| Housing       | UL94-V0   |
| Connections   | Contact inputs - 5 x 4-way terminal<br>Mains supply - 3-way terminal<br>Punch down connector<br>RJ11 port |
| Climate Range | Temperature +2C to +40C<br>Humidity +5% to 95%<br>non-condensing  |
| Standards     | RoHS<br>UKCA, CE<br>EN 60669-2-5:2016   |
| Communication | CAN   |

### Connections



### Dimensions



### Installation and Setup

For information on installing and setting up the WAVMI, see the [WAVMI Manual](#).

RAKO WIRED



- ORANGE/WHITE: +15V
- ORANGE: 0V
- BLUE: Data -
- BLUE/WHITE: Data +
- GREEN/WHITE: Data + (STAR)
- GREEN: Data - (STAR)
- BROWN: 0V
- BROWN/WHITE: +15V



Document Version 2.0.0

telephone +44 (0) 1634 226666 | [www.rakocontrols.com](http://www.rakocontrols.com)