

Datasheet

RK-PIR

Wireless Presence Sensor

What is the RK-PIR?

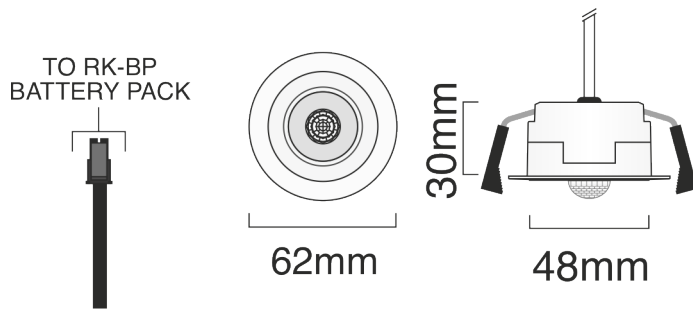
The RK-PIR is a presence Sensor for use with the Rako wireless system. It is supplied with an RK-BP battery pack.

Features include:

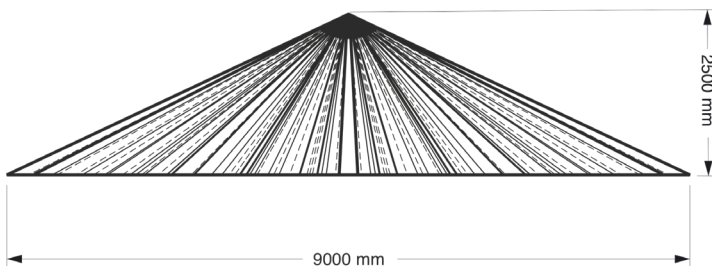
- Three modes
 - Always (not time-based)
 - Time range mode
 - Sunlight mode
- Webpage programmable
- Absence detection

The introduction of programming through the HUB via the webpages using 'Hub managed mode', enables time-dependent automatic Scene selection, allowing for different Scenes at different times of the day.

Connections/Dimensions



Coverage



Technical Data

Dimensions	61.5x61.5x32mm (48 - 51mm ceiling cutout)
Input Supply	3V Battery Pack (RK-BP included) Replace with 2 x AA 1.5V L91 Lithium (LiFeS2) batteries only
Weight	47g
Connections	2-pin connector to RK-BP
Climate Range	+2C to +40C Humidity +5% to 95% non-condensing
IP Rating	IP20
Standards	RoHS UKCA, CE EN 60669-2-5:2016
Communication	433.9MHz encoded FM radio

Installation and Setup

For information on installing and setting up the RK-PIR see the [RK-PIR Manual](#).



Document Version 2.0.0

telephone +44 (0) 1634 226666 | www.rakocontrols.com