

Datasheet

WK-PIR

Wired Presence Sensor

What is the WK-PIR?

The WK-PIR is a presence sensor for use with the Rako wired system. It is supplied with a WK-CONNECT for a CAT5/ CAT6 punch-down connection.

Features include:

- Three modes
 - Always (not time based)
 - Time range mode
 - Sunlight mode
- Webpage programmable
- Absence detection
- Ease of installation via the WK-CONNECT

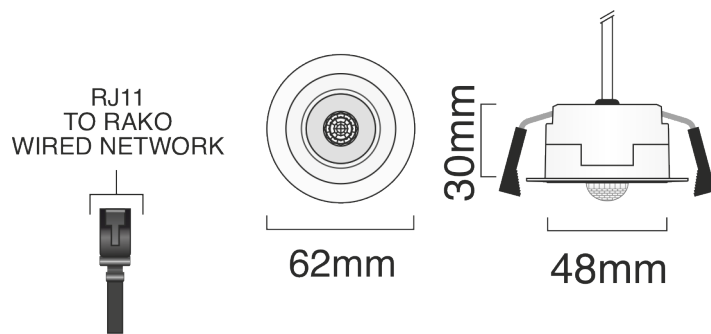
NB

A WK-HUB is required to program and operate the sensor.

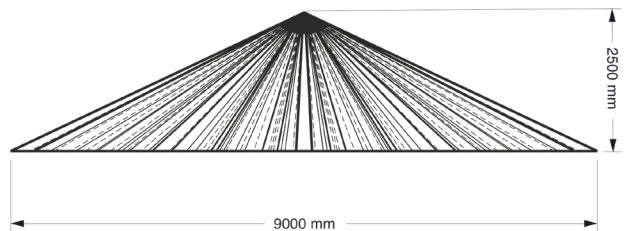
Technical Data

Dimensions	61.5x61.5x32mm (48 - 51mm ceiling cutout)
Input Supply	15V DC via Rako Wired network
Weight	47g
Connections	RJ11 cable to WK-CONNECT
Climate Range	+2C to +40C Humidity +5% to 95% non-condensing
IP Rating	IP20
Standards	RoHS UKCA, CE EN 60669-2-5:2016
Communication	CAN bus

Connections/Dimensions



Coverage



Installation and Setup

For information on installing and setting up the WK-PIR see the [WK-PIR Manual](#).



Document Version 2.0.0

telephone +44 (0) 1634 226666 | www.rakocontrols.com