

Datasheet

RxLINK

Wireless RAK Receiver

What is the RxLINK

The RxLINK is a Rako Wireless receiver for the RAK8, the unit is powered from the RAK8 and does not require any additional connections.

The RxLINK must be configured in Rasoft Pro to function.

A maximum of 16 circuits can be mapped to the RxLINK, if additional circuits are required then more RxLINKs may be added.

Features

- LED feedback
- Controls up to 16 Circuits
- Quick installation
- Compatible with RAK8-MB and RAK8-S

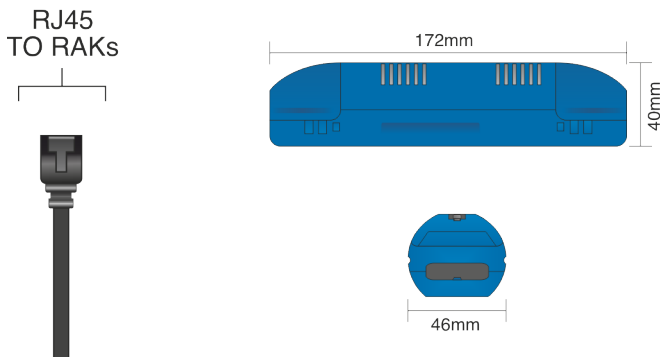
Technical Data

Dimensions	172.46.40mm
Input Supply	12V DC (from RAK)
Weight	165g
Housing	UL94-V0
Connections	RJ45 connector
Climate Range	Temperature +2C to +40C Humidity +5% to 95% non-condensing
Standards	RoHS UKCA, CE EN 60669-2-5:2016
Communication	FM radio, 433.9MHz

Installation and Setup

For information on installing and setting up the RxLINK, see the [RxLINK Manual](#).

Connections/Dimensions



Document Version 2.0.0

telephone +44 (0) 1634 226666 | www.rakocontrols.com