



# Datasheet

## WCM-D

Rako Wired Switch Interface



### What is the WCM-D?

The WCM-D allows custom and third-party switch plates to be used in place of a Rako wired keypad (WCM/WK-EOS/WK-MOD etc.)

The WCM-D will fit inside a single gang UK back box. Up to eight switch inputs can be used per WCM-D. The switch plate can be formed of latching or momentary action switches connected by short wires to terminals on the WCM-D.

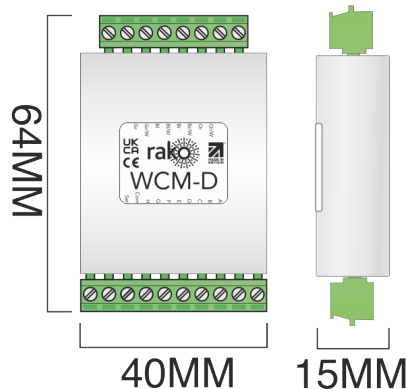
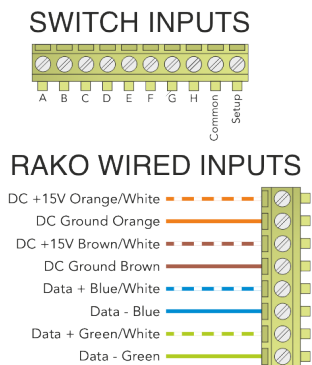
#### NB

Excessive cable lengths can pick up noise, which can cause intermittent operation or spurious triggering, the recommended maximum cable length is 300mm.

### Features

- Scene selection
- Scene toggle
- Level toggle
- Fade toggle (push dim)
- Room/Channel raise and lower
- Whole House controls
- Momentary or Latching switches

### Connections/Dimensions



### Technical Data

Dimensions	64x40x15mm
Fixing	Standard UK single gang back box, minimum 35mm depth, advised 47mm depth
Weight	29g
Input Supply	12-18V DC supply from Rako Wired network
Cable Type	UTP CAT5e or CAT6
Terminals	8 Way screw-down connector for CAN bus. 10-way screw-down connector for 8 dry contacts, common and setup
Climate Range	Temperature +2C to +40C Humidity +5% to 90% non-condensing
Standards	RoHS UKCA, CE EN 60669-2-5:2016
Communication	CAN bus

### Installation and Setup

For information on installing and setting up the WCM-D, see the [WCM-D Manual](#).



Document Version 2.0.0

telephone +44 (0) 1634 226666 | [www.rakocontrols.com](http://www.rakocontrols.com)

WE RESERVE THE RIGHT TO CHANGE THE SPECIFICATION AND DATA HEREWITH WITHOUT NOTICE.

© 2024 RAKO CONTROLS LIMITED