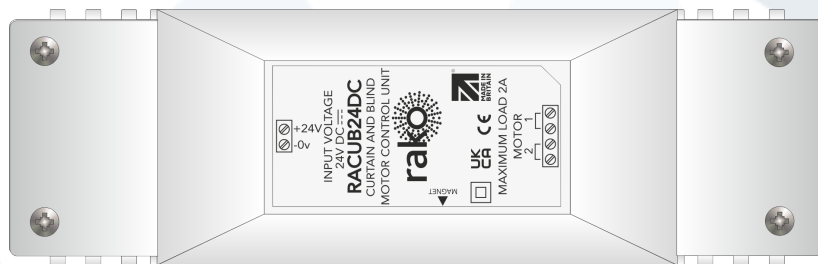




Datasheet

RACUB24DC

DC Dual Relay Controller



What is the RACUB24DC?

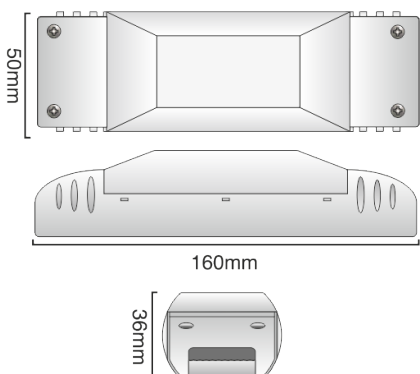
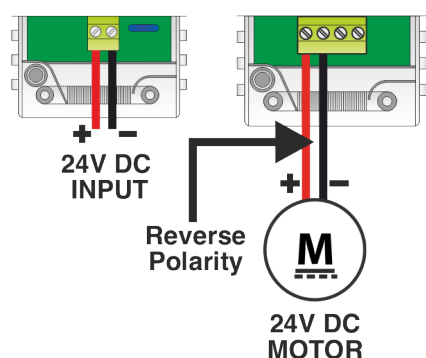
A RACUB24DC is a dual relay switching module designed for motor control, it is suitable for controlling 24V curtain or blind motors via polarity switching.

The RACUB24DC can be programmed for basic functionality using an RCM switch, although it is highly recommended to use Rasoft Pro and a compatible programming device such as the RAMPI or RK-HUB.

Features

- Customisable relay time-out
- Latching or momentary switching
- LED feedback for wireless range diagnostics
- Works with the Rako App using a HUB
- Magnetic setup switch

Connections/Dimensions



Technical Data

Dimensions	160x50x36mm
Input Supply	24V DC
Weight	240g
Housing	UL94-V0
Connections	DC input - 2-way screw terminal Relay outputs - 4-way screw terminal
Climate Range	Temperature +2C to +40C Humidity +5% to 95% non-condensing
Load Types	Motor: 24V DC Refer to motor documentation for compatibility
Minimum Load	N/A
Maximum Load	2A
Cable Size	Stranded - 1.5mm ² Solid - 2.5mm ²
Standards	RoHS UKCA, CE EN 60669-2-5:2016
Communication	FM radio, 433.9MHz

Installation and Setup

For information on installing and setting up the RACUB24DC, see the [RACUB24DC Manual](#).



Document Version 2.0.0

telephone +44 (0) 1634 226666 | www.rakocontrols.com