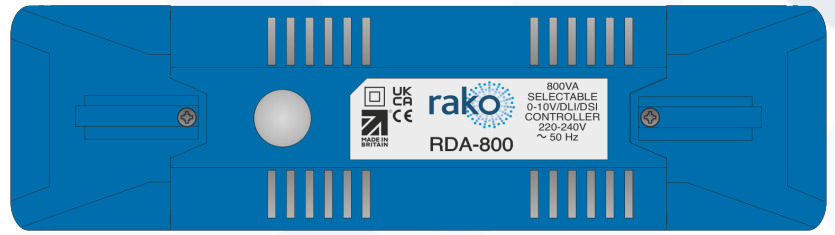




Datasheet

RDA-800

0-10V/DSI/DLI Controller



What is the RDA-800?

The RDA-800 is a multifunctional dimming unit that controls 0-10V, DLI, or DSI drivers.

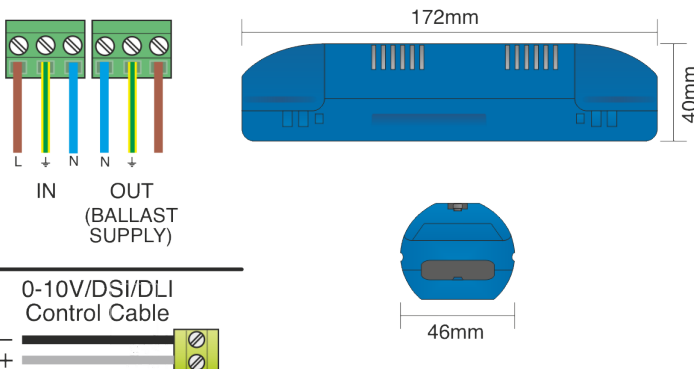
The mains supply to the drivers can be controlled by the mains output using the built-in relay.

The RDA-800 has been designed for flexible installation, for a retrofit solution it can be installed behind a ceiling or if the lighting is wired back to a central location it can be mounted centrally using the supplied mounting bracket.

Features

- Up to 16 custom Scenes
- Keypad or software programmable
- Customisable fade rates and dimming profiles
- LED diagnostic feedback
- Configurable for 0-10V, DLI or DSI

Connections/Dimensions



Technical Data

Dimensions	172x46x40mm
Input Supply	230V AC 50Hz
Weight	205g
Housing	UL94-V0
Connections	Mains IN/OUT - 3way screw terminal Dimming Control - 2 way screw terminal
Climate Range	Temperature +2C to +40C Humidity +5% to 95% non-condensing
Fuse	5A 20mm
Load Types	0-10V, DSI and DALI Ballasts
Minimum Load	N/A
Maximum Load	800W (mains output)
Terminal Size	4.0mm ²
Standards	RoHS UKCA, CE EN 60669-2-5:2016
Communication	FM radio, 433.9MHz

Installation and Setup

For information on installing and setting up the RDA-800, see the [RDA-800 Manual](#).



Document Version 2.0.0

telephone +44 (0) 1634 226666 | www.rakocontrols.com