



# Datasheet

## RCM-XXX

### Wireless Single Room Keypad



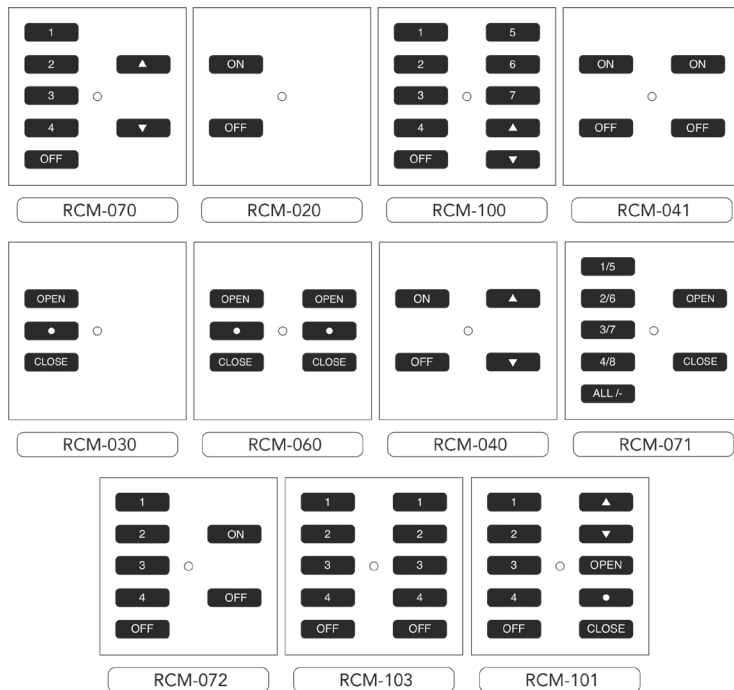
### What is the RCM?

The RCM is a wireless battery-powered keypad for transmitting Rako commands to wireless receivers such as the RMT-500 or RDA-800.

Available in a wide range of button configurations to control lights, blinds, and audio, the RCM provides a versatile solution to suit the needs of all room sizes.

The RCM is programmed using dip switches on the back of the unit and advanced programming features are available to further customise the functionality of the RCM.

### RCM Button Layouts



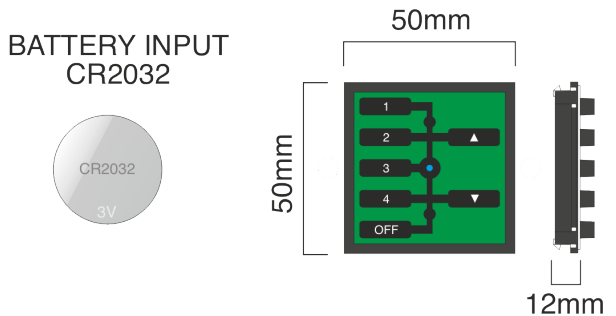
### Technical Data

Dimensions	50x50x12
Fixing	Flush mounting into standard UK single gang back box, minimum 12mm depth.
	Surface mounting on standard single gang UK or European back box or direct to a flat surface.
Weight	100g
Input Supply	1 x CR2032 3V lithium coin cell battery
Climate Range	Temperature +2C to +40C Humidity +5% to 90% non condensing
Standards	RoHS UKCA, CE EN 60669-2-5:2016
Communication	FM radio, 433.9MHz

### Installation and Setup

For information on installing and setting up the RCM, see the [RCM Manual](#).

### Connections/Dimensions



Document Version 2.0.0

telephone +44 (0) 1634 226666 | [www.rakocontrols.com](http://www.rakocontrols.com)