



Instruction Manual

RACUB24DC

Polarity Switching Curtain & Blind Controller



2026

Version 2.0.1



Contents


1 What is the RACUB24DC?.....	3
2 Loadings.....	3
3 Installation.....	3
4 Initial Checks.....	4
5 Programming the RACUB24DC.....	4
6 Appendix - Relay Programming Menu.....	5

1 What is the RACUB24DC?

A RACUB24DC is a dual relay switching module designed for motor control. It is suitable for controlling 24V polarity switched curtain or blind motors.

The RACUB24DC can be programmed for basic functionality using an RCM switch, although it is highly recommended to use Rasoft Pro and a compatible programming device such as the RAMPI or RK-HUB.

2 Loadings

Load Type	Load Voltage	Max Load
 DC Motor	24VDC	2A


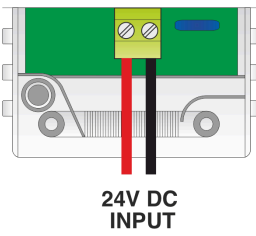


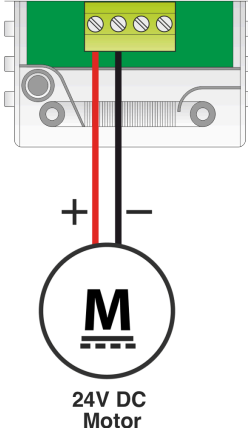

3 Installation

⚠ WARNING

Ensure the limits are set on the connected motors before energising the RACUB24DC. Installation should only be carried out by a competent electrician.

- RACUB24DC modules should be mounted in areas that are adequately ventilated, dry, and outside of any enclosed metal casings that may interfere with the wireless signal.
- Modules should be mounted vertically, with the terminals at the bottom, or horizontally.
- While the modules are designed to be maintenance-free, they should be mounted in an accessible location should investigation or re-addressing be necessary.
- Ensure that the cable clamp is fitted tightly to secure the cables.

1		Remove the covers and cable clamps
2		Insert the supply IN conductors. Replace the cover and clamp for the input side of the RACUB24DC.

3	 <p style="text-align: center;">M 24V DC Motor</p>	<p>Connect the mains motor to the output terminals of the RACUB24DC.</p> <p>For more information on wiring configurations, refer to the Dual Relay Wiring Overview.</p> <p>NB Always check with the motor manufacturer for compatibility before installing.</p>
4		<p>Ensure that both covers and clamps are replaced on both ends of the RACUB24DC.</p>

4 Initial Checks

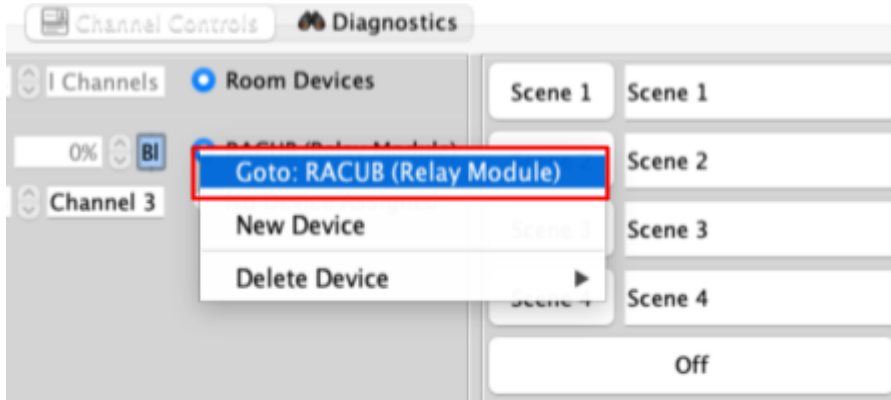
- A wireless keypad can be used to test the relays on the default programming of House 1 Room 4.
- The internal LED behind the 'Magnet' side of the module will flicker when the module receives any Rako wireless message and is a useful diagnostic indicator.

5 Programming the RACUB24DC

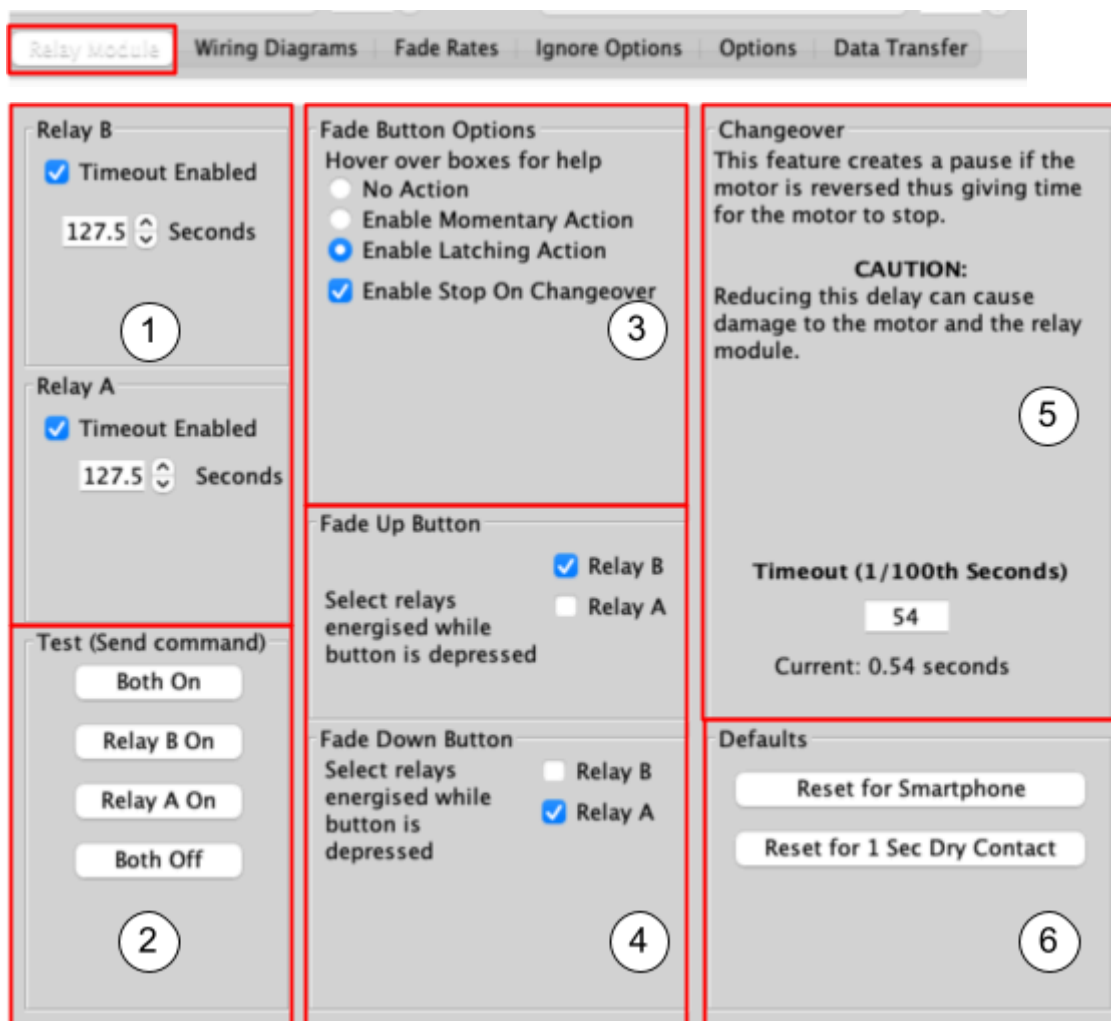
Once the RACUB24DC has powered up, it can be tested working with a House 1 Room 4 Keypad using the Raise and Lower buttons, then the device is ready to be programmed. For instructions on how to program the RACUB24DC, see section "3.3 - Modules with magnet setup" in the [Wireless Module Setup Guide](#).

6 Appendix - Relay Programming Menu

→ To access the menu for programming the relays, right click the device on the channel list and select 'Go to (device)'



→ Select 'Relay Module'



1. Relay Timeouts

Enabled by default. Defines the time (in seconds) before the relays disengage after activation.

2. Test

Sends test commands to the relays. Before testing, ensure the motor wiring complies with the manufacturer's instructions and that any required limits are set on the motor.

3. Fade Button Options

- No Action – Fade commands will have no effect on the motor.
- Enable Momentary Action – Relays engage only while the fade button is held. The relays will disengage when released. An optional setting allows the relay to latch after a specified time.
- Enable Latching Action – Relays engage when the button is pressed and disengage after the configured timeout (default: 127.5 seconds).

4. Fade Up / Fade Down Button

Assigns which relay is controlled by the Fade Up and Fade Down commands.

5. Changeover

Defines the delay between switching relays. It is recommended to leave this at the default setting, as reducing the delay may cause damage to the motor.

6. Defaults

- Reset for Smartphone – Restores default relay timeouts with latching action enabled.
- Reset for 1 Second Dry Contact – Sets relay timeouts to 1 second with momentary action. Commonly used with interfaces requiring dry contact pulses to control the motor.

Thank you for choosing Rako Controls; we hope that you are pleased with your system. Should you require further assistance, please contact us via our website, www.rakocontrols.com call our customer support helpline on 01634 226666. The office address is Rako Controls Ltd, Knight Road Rochester, ME2 2AH.

