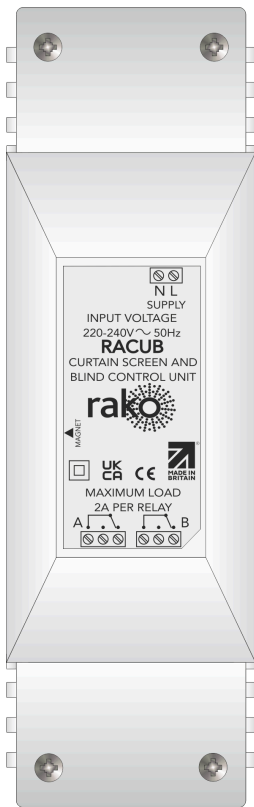




# Instruction Manual

# RACUB

## Curtain & Blind Controller



2026  
Version 2.0.1



# Contents



1 What is the RACUB?.....	3
2 Loadings.....	3
3 Installation.....	3
4 Initial Checks.....	4
5 Programming the RACUB.....	4
6 Appendix - Relay Programming Menu.....	5

# 1 What is the RACUB?

A RACUB is a dual relay switching module designed for motor control, it is suitable for controlling curtains, blinds and 3rd party volt-free contacts.

The RACUB can be programmed for basic functionality using an RCM switch, although it is highly recommended to use Rasoft Pro and a compatible programming device such as the RAMPI or RK-HUB.

## 2 Loadings

Load Type	Load Voltage	Max Load
 AC Motor	230VAC	2A
 DC Motor	12VDC	2A


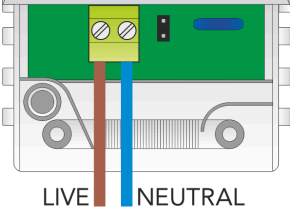
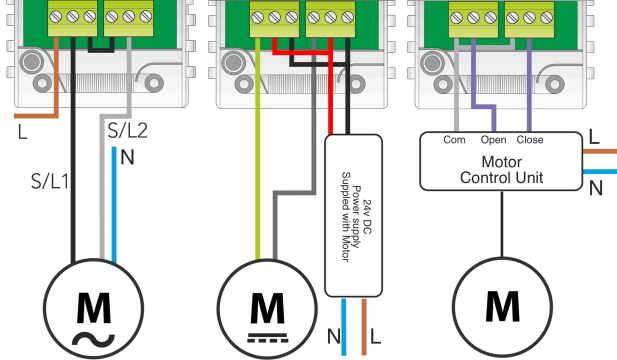



## 3 Installation

### **⚠ WARNING**

Ensure the limits are set on the connected motors before energising the RACUB.  
Installation should only be carried out by a competent electrician.

- RACUB modules should be mounted in areas that are adequately ventilated, dry, and outside of any enclosed metal casings that may interfere with the Wireless signal.
- Modules should be mounted vertically, with the terminals at the bottom, or horizontally.
- While the modules are designed to be maintenance-free, they should be mounted in an accessible location should investigation or re-addressing of the units be necessary.
- Ensure that the cable clamp is fitted tightly to secure the cables.

1		Remove the covers and cable clamps
2		<p>Insert the mains supply IN conductors.</p> <p>Replace the cover and clamp for the input side of the RACUB.</p>
3	 <p>MAINS MOTOR   DC MOTOR   DRY CONTACT</p>	<p>Choose one of the three common wiring options.</p> <p>For more information on wiring configurations, refer to the <a href="#">Dual Relay Wiring Overview</a>.</p> <p><b>NB</b> Always check with the motor manufacturer for compatibility before installing.</p>
4		Ensure that both covers and clamps are replaced on both ends of the RACUB.

## 4 Initial Checks

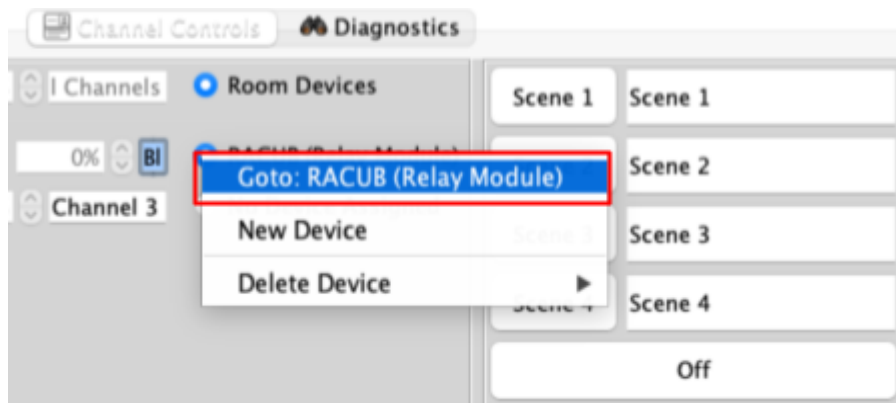
- A Wireless keypad can be used to test the relays on the default programming of House 1 Room 4.
- The internal LED behind the 'Magnet' side of the module will flicker when the module receives any Rako Wireless message and is a useful diagnostic indicator.

## 5 Programming the RACUB

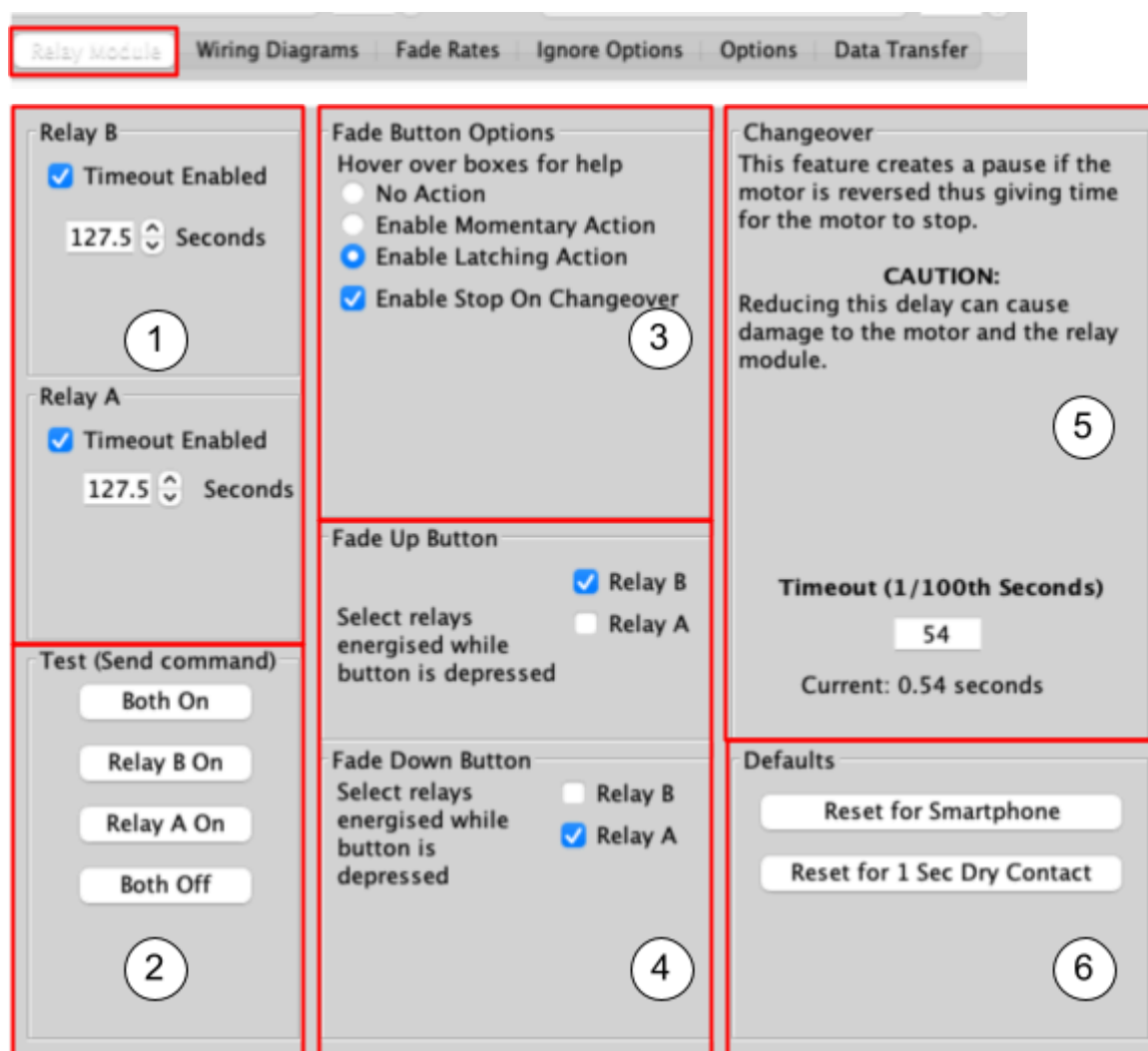
Once the RACUB has powered up, it can be tested working with a House 1 Room 4 Keypad using the Raise and Lower buttons, then the device is ready to be programmed. For instructions on how to program the RACUB, see section "3.3 - Modules with magnet setup" in the [Wireless Module Setup Guide](#).

## 6 Appendix - Relay Programming Menu

→ To access the menu for programming the relays, right click the device on the channel list and select 'Go to (device)'



→ Select 'Relay Module'



## 1. Relay Timeouts

Enabled by default. Defines the time (in seconds) before the relays disengage after activation.

## 2. Test

Sends test commands to the relays. Before testing, ensure the motor wiring complies with the manufacturer's instructions and that any required limits are set on the motor.

## 3. Fade Button Options

- No Action – Fade commands will have no effect on the motor.
- Enable Momentary Action – Relays engage only while the fade button is held. The relays will disengage when released. An optional setting allows the relay to latch after a specified time.
- Enable Latching Action – Relays engage when the button is pressed and disengage after the configured timeout (default: 127.5 seconds).

## 4. Fade Up / Fade Down Button

Assigns which relay is controlled by the Fade Up and Fade Down commands.

## 5. Changeover

Defines the delay between switching relays. It is recommended to leave this at the default setting, as reducing the delay may cause damage to the motor.

## 6. Defaults

- Reset for Smartphone – Restores default relay timeouts with latching action enabled.
- Reset for 1 Second Dry Contact – Sets relay timeouts to 1 second with momentary action. Commonly used with interfaces requiring dry contact pulses to control the motor.

---

Thank you for choosing Rako Controls; we hope that you are pleased with your system. Should you require further assistance, please contact us via our website, [www.rakocontrols.com](http://www.rakocontrols.com) call our customer support helpline on 01634 226666. The office address is Rako Controls Ltd, Knight Road Rochester, ME2 2AH.

